

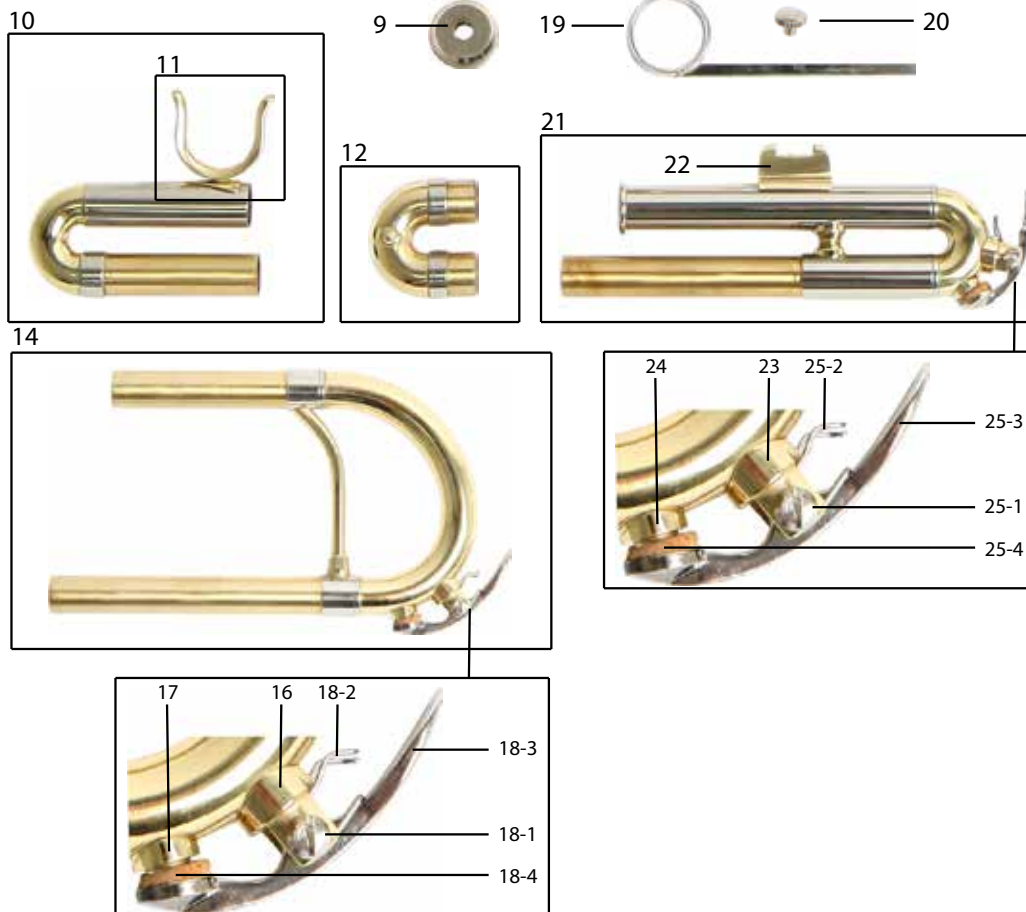
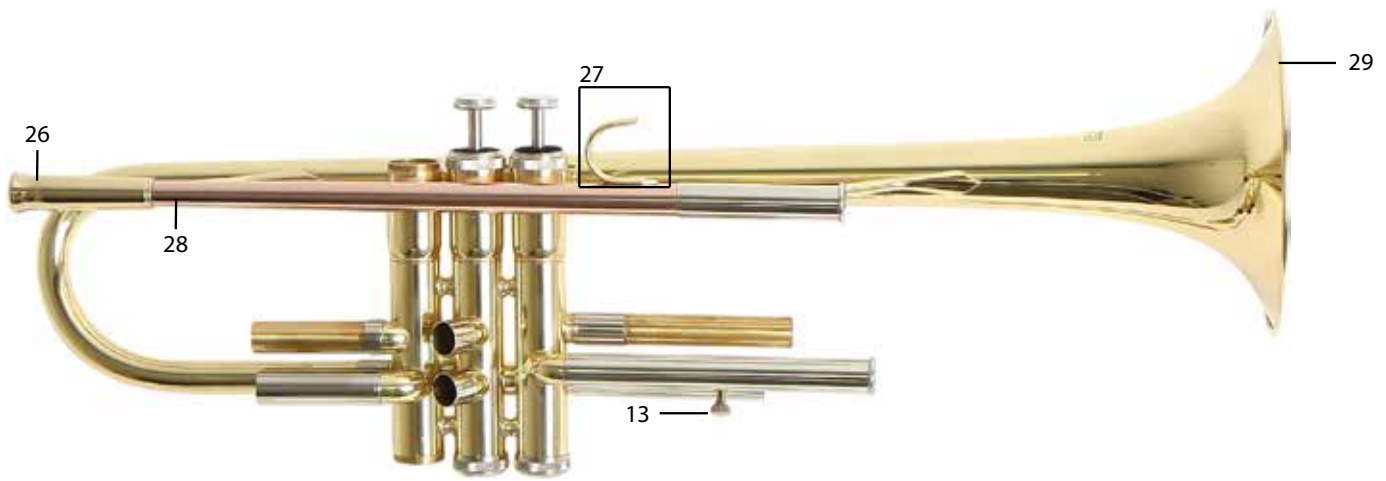

ROY
BENSON

ERSATZTEILE
SPAREPARTS
PIÈCES DÉTACHÉE
PEZZO DI RICAMBIO

INDEX

4	Trumpet
8	Pocket trumpet
10	Cornet
14	Flugelhorn
16	Trombone
22	French Horn
24	Baritone / Euphonium
28	Tenorhorn
30	Tuba
34	Saxophone
38	Clarinet
40	Flute

TR-101 | TR-202



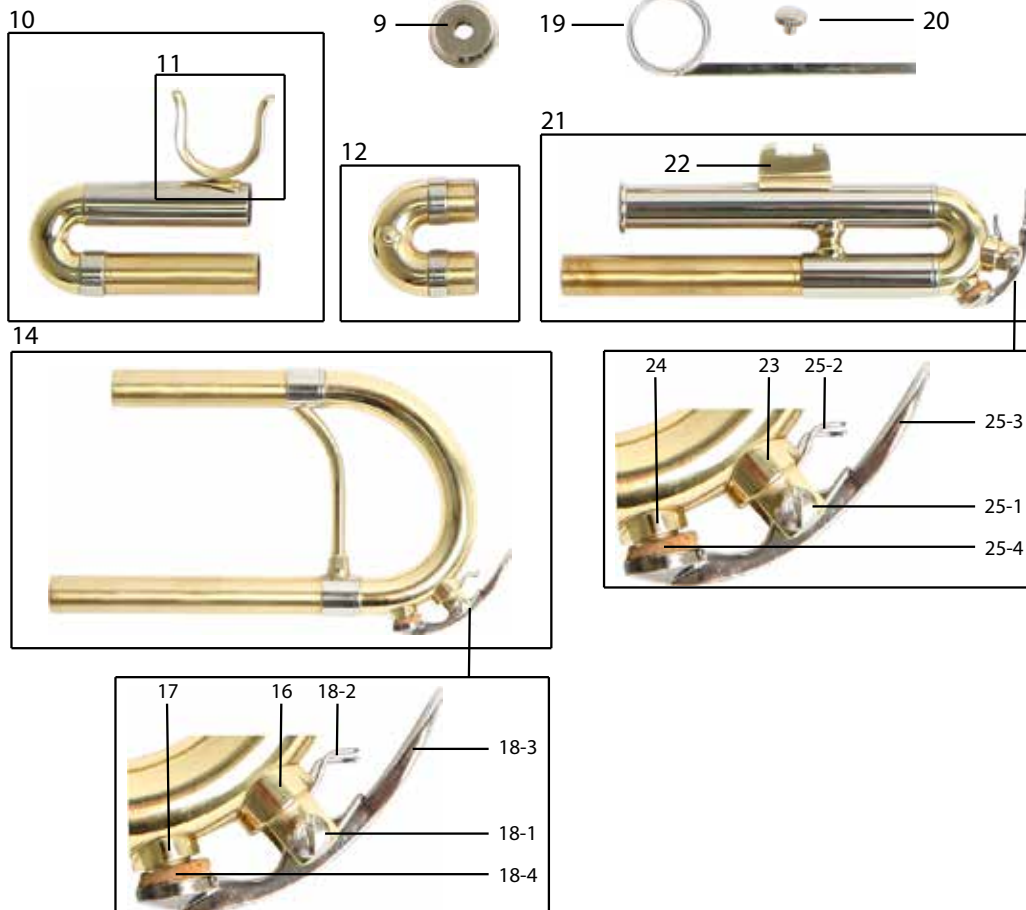
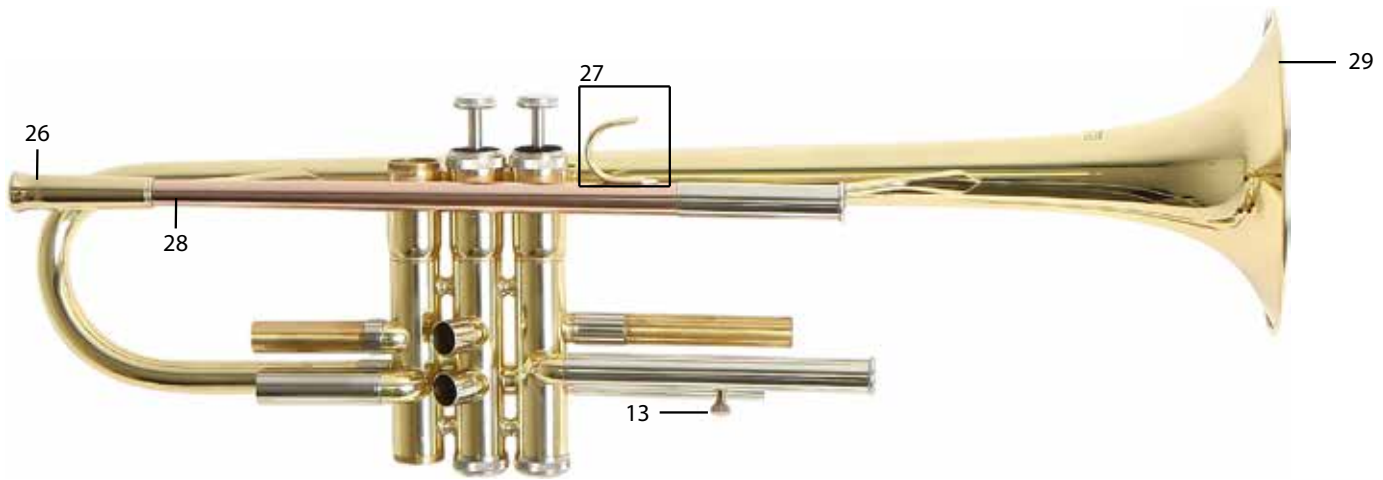


Trompette ♫ Trumpet ♫ Trompette ♫ Tromba



No.	Description	TR-101	Colored TR-101	TR-202	TR-202S
0	Pearl for Finger Button	RBTR10100	◀	◀	◀
1	Finger Button with Pearl	RBTR10101	RBTR10101Y	RBTR10101	RBTR10101S
2	Felt for Valve Stem	RBTR10102	◀	◀	◀
3	Valve Stem	RBTR10103	RBTR10103Y	RBTR10103	RBTR10103S
4	Felt for Top Valve Cap	RBTR10104	◀	◀	◀
5	Top Valve Cap	RBTR10105	RBTR10105Y	RBTR10105	RBTR10105S
6	Valve Spring	RBTR10106	◀	◀	◀
7	Valve Guide	RBTR10107	◀	◀	◀
8-1	1st Piston	RBTR101081	◀	◀	◀
8-2	2nd Piston	RBTR101082	◀	◀	◀
8-3	3rd Piston	RBTR101083	◀	◀	◀
9	Bottom Valve Cap	RBTR10109	RBTR10109Y	RBTR10109	RBTR10109S
10	1st Valve Slide ass'y	RBTR10110	◀	RBTR20210	RBTR20210S
11	Thumb Hook Saddle (Ms)	RBTR10111	◀	◀	◀
12	2nd Valve Slide ass'y	RBTR10112	◀	RBTR20212	RBTR20212S
13	Stop Screw 3rd Valve Slide	RBTR10113	RBTR10113Y	RBTR10113	RBTR10113S
14	Main Tuning Slide ass'y with Waterkey	RBTR10114	◀	RBTR20214	RBTR20214S
15	Main Tuning Slide ass'y w/o waterkey, w/o brace				
16	Waterkey Saddle	RBTR10116	◀	◀	◀
17	Waterkey Hole	RBTR10117	◀	◀	◀
18-1	Waterkey Screw	RBTR101181	◀	◀	RBTR101181S
18-2	Waterkey Spring	RBTR101182	◀	◀	◀
18-3	Waterkey Main Tuning Slide	RBTR101183	RBTR101183Y	RBTR101183	RBTR101183S
18-4	Waterkey Cork	RBTR101184	◀	◀	◀
19	Finger Ring	RBTR10119	RBTR10119Y	RBTR10119	◀
20	Screw Lyre Holder	RBTR10120	RBTR10120Y	RBTR10120	RBTR10120S
21	3rd Valve Slide ass'y with Waterkey	RBTR10121	◀	RBTR20221	RBTR20221S
21a	3rd Valve Slide ass'y w/o Waterkey				
22	Lyre Holder	RBTR10122	◀	◀	RBTR10122S
23	3rd Slide Waterkey saddle	RBTR10116	◀	◀	◀
24	Waterkey hole	RBTR10117	◀	◀	◀
25-1	3rd Slide Waterkey Screw	RBTR101181	◀	◀	RBTR101181S
25-2	3rd Slide Waterkey Spring	RBTR101182	◀	◀	◀
25-3	3rd Slide Waterkey	RBTR101253	RBTR101253Y	RBTR101253	RBTR101253S
25-4	Waterkey Cork	RBTR101184	◀	◀	◀
26	Mothpiece Receiver	RBTR10126	◀	◀	◀
27	Finger Hook	RBTR10127	◀	◀	◀
28	Leadpipe	RBTR10128	◀	◀	◀
29	Bell	RBTR10129	◀	RBTR20229	◀

TR-402 | TR-403 | Charli Green

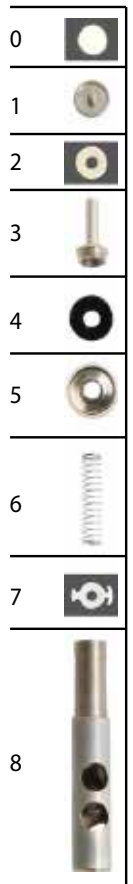
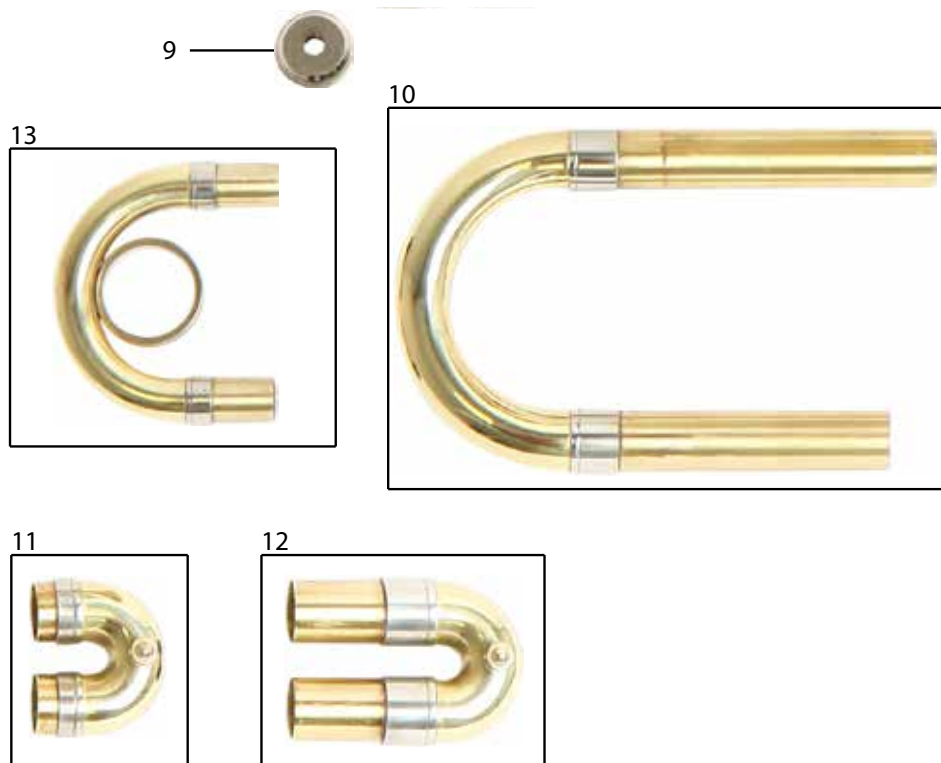
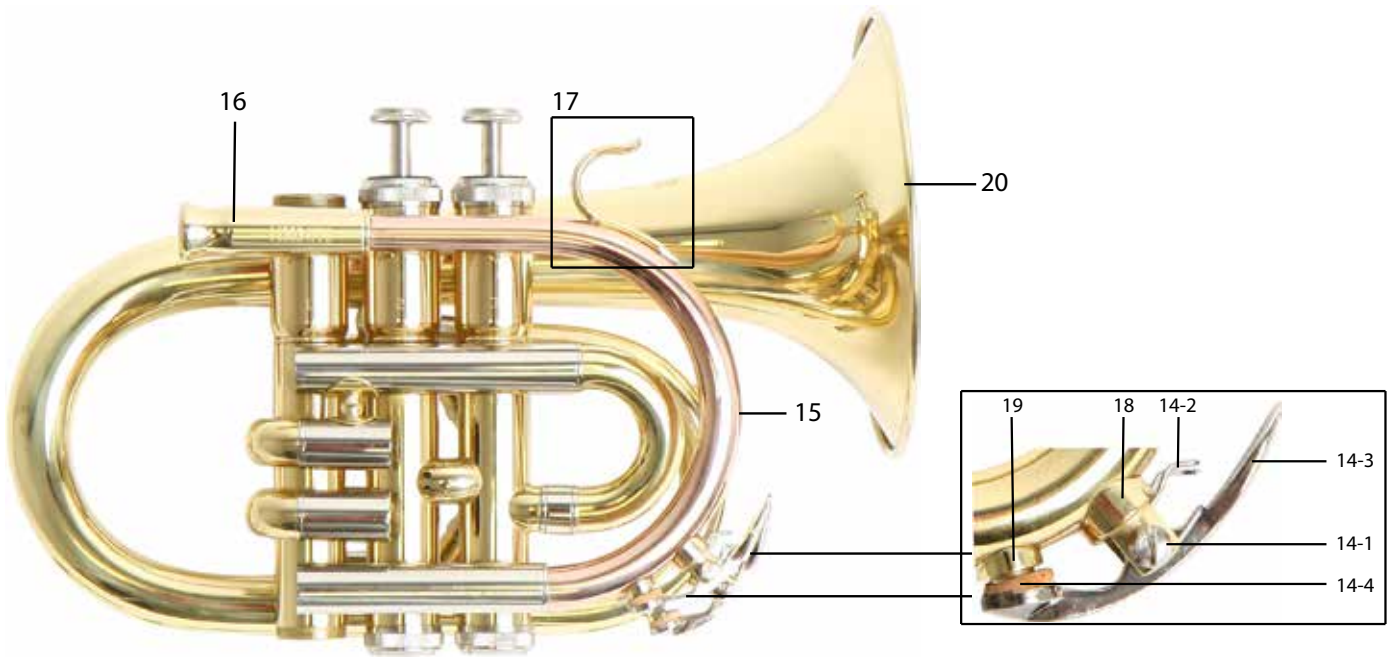




Trompete ♫ Trumpet ♫ Trompette ♫ Tromba



No.	Description	TR-402	TR-402S	TR-403	TR-403S	Charli Green
0	Pearl for Finger Button	RBTR10100	◀	◀	◀	
1	Finger Button with Pearl	RBTR40201	RBTR40201S	RBTR40201	RBTR40201S	RBTR40201G
2	Felt for Valve Stem	RBTR10102	◀	◀	◀	◀
3	Valve Stem	RBTR40203	RBTR40203S	RBTR40203	RBTR40203S	◀
4	Felt for Top Valve Cap	RBTR10104	◀	◀	◀	◀
5	Top Valve Cap	RBTR40205	RBTR40205S	RBTR40205	RBTR40205S	RBTR40205G
6	Valve Spring	RBTR40206	◀	◀	◀	◀
7	Valve Guide	RBTR10107	◀	◀	◀	◀
8-1	1st Piston	RBTR402081	◀	◀	◀	◀
8-2	2nd Piston	RBTR402082	◀	◀	◀	◀
8-3	3rd Piston	RBTR402083	◀	◀	◀	◀
9	Bottom Valve Cap	RBTR40209	RBTR40209S	RBTR40209	RBTR40209S	RBTR40209G
10	1st Valve Slide ass'y	RBTR40210	RBTR40210S	RBTR40210	RBTR40210S	◀
11	Thumb Hook Saddle (Ms)	RBTR40211	◀	◀	◀	◀
12	2nd Valve Slide ass'y	RBTR40212	RBTR40212S	RBTR40212	RBTR40212S	◀
13	Stop Screw 3rd Valve Slide	RBTR10113	RBTR10113S	RBTR10113	RBTR10113S	RBTR10113G
14	Main Tuning Slide ass'y with Waterkey	RBTR40214	RBTR40214S	RBTR40314	RBTR40314S	RBTRCG14
15	Main Tuning Slide ass'y w/o waterkey, w/o brace					RBTRCG15
16	Waterkey Saddle	RBTR40216	◀	◀	◀	◀
17	Waterkey Hole	RBTR10117	◀	◀	◀	◀
18-1	Waterkey Screw	RBTR101181	RBTR101181S	RBTR101181	RBTR101181S	RBTR101181G
18-2	Waterkey Spring	RBTR101182	◀	◀	◀	◀
18-3	Waterkey Main Tuning Slide	RBTR101183	RBTR101183S	RBTR101183	RBTR101183S	RBTR101183G
18-4	Waterkey Cork	RBTR101184	◀	◀	◀	◀
19	Finger Ring	RBTR40219	◀	◀	◀	◀
20	Screw Lyre Holder					
21	3rd Valve Slide ass'y with Waterkey	RBTR40221	RBTR40221S	RBTR40221	RBTR40221S	RBTR40221S
21a	3rd Valve Slide ass'y w/o Waterkey					RBTRCG21A
22	Lyre Holder					
23	3rd Slide Waterkey saddle	RBTR40216	◀	◀	◀	◀
24	Waterkey hole	RBTR10117	◀	◀	◀	◀
25-1	3rd Slide Waterkey Screw	RBTR101181	RBTR101181S	RBTR101181	RBTR101181S	RBTR101181G
25-2	3rd Slide Waterkey Spring	RBTR101182	◀	◀	◀	◀
25-3	3rd Slide Waterkey	RBTR101253	RBTR101253S	RBTR101253	RBTR101253S	RBTR101253G
25-4	Waterkey Cork	RBTR101184	◀	◀	◀	◀
26	Mothpiece Receiver	RBTR40226	◀	RBTR40326	◀	RBTRCG26
27	Finger Hook	RBTR40227	◀	◀	◀	◀
28	Leadpipe	RBTR40228	◀	RBTR40328	◀	RBTRCG28
29	Bell	RBTR40229	◀	RBTR40329	◀	RBTRCG29



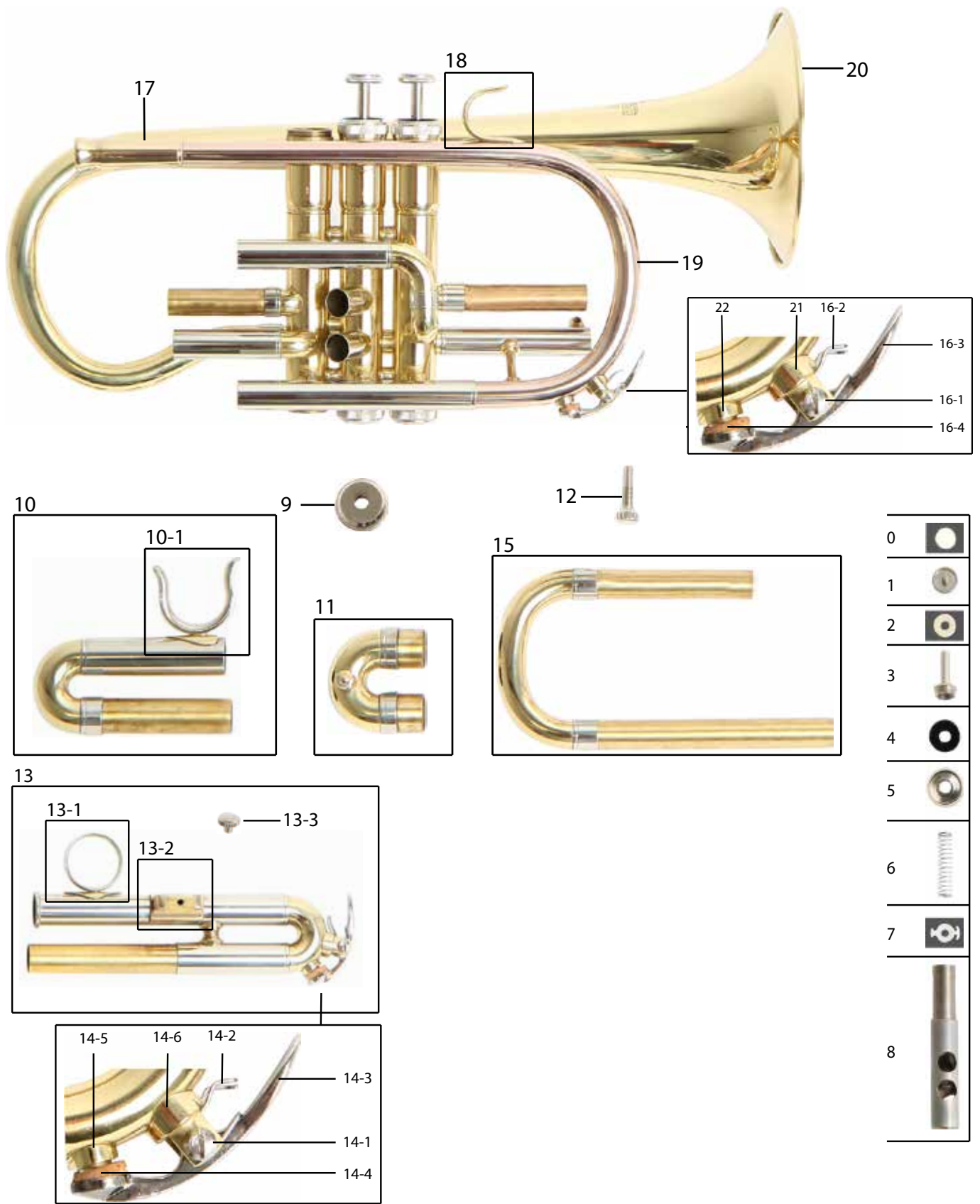
- 0
- 1
- 2
- 3
- 4
- 5
- 6
- 7
- 8



Taschentrompete † Pocket trumpet † Trompette de poche † Tromba Pocket



Scetch No.	Description	PT-101	Colored PT-101	PT-101S	PT-302
0	Pearl for Finger Button	RBTR10100	◀	◀	◀
1	Finger Button with Pearl	RBTR10101	RBTR10101Y	RBTR10101S	RBTR10101
2	Felt for Valve Stem	RBTR10102	◀	◀	◀
3	Valve Stem	RBPT10103	RBPT10103Y	RBPT10103S	RBPT10103
4	Felt for Top Valve Cap	RBTR10104	◀	◀	◀
5	Top Valve Cap	RBTR10105	RBTR10105Y	RBTR10105S	RBTR10105
6	Valve Spring	RBTR10106	◀	◀	◀
7	Valve Guide	RBTR10107	◀	◀	◀
8-1	1st Piston	RBTR101081	◀	◀	◀
8-2	2nd Piston	RBTR101082	◀	◀	◀
8-3	3rd Piston	RBTR101083	◀	◀	◀
9	Buttom Valve Cap	RBTR10109	RBTR10109Y	RBTR10109S	RBTR10109
10	Main Tuning Slide ass'y	RBPT10110	◀	RBPT10110S	RBPT30210
11	2nd Valve Slide ass'y	RBPT10111	◀	RBPT10111S	RBPT30211
12	1st Valve Slide ass'y	RBPT10112	◀	RBPT10112S	RBPT30212
13	3rd Valve Slide ass'y	RBPT10113	◀	RBPT10113S	RBPT30213
14-1	Waterkey Screw	RBTR101181	◀	RBTR101181S	RBTR101181
14-2	Waterkey Spring	RBTR101182	◀	◀	◀
14-3	Waterkey on Leadpipe	RBTR101183	RBTR101183Y	RBTR101183S	RBTR101183
14-4	Waterkey Cork	RBTR101184	◀	◀	◀
15	Leadpipe	RBPT10115	◀	◀	RBPT30215
16	Mothpiece Receiver	RBPT10116	◀	◀	◀
17	Finger Hook	RBPT10117	◀	◀	◀
18	Waterkey Saddle	RBTR10116	◀	◀	◀
19	Waterkey hole	RBTR10117	◀	◀	◀
20	Bell	RBTR10120	◀	◀	RBPT30220



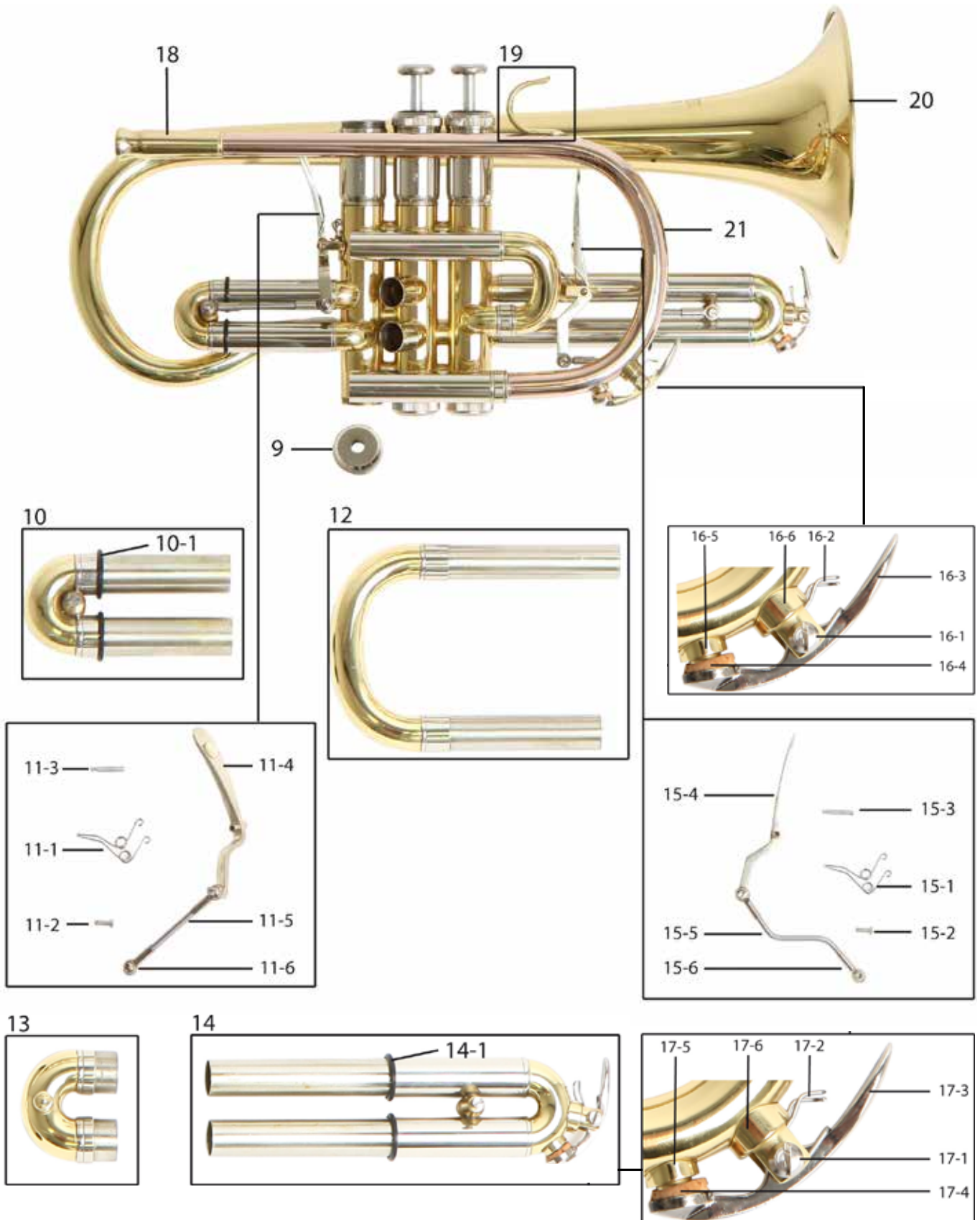


Kornett ♯ Cornet ♯ Cornet ♯ Cornetta



Scetch No.	Description	CR-202	CR-202S
0	Pearl for Finger Button	RBTR10100	◀
1	Finger Button with Pearl	RBTR10101	RBTR10101S
2	Felt for Valve Stem	RBTR10102	◀
3	Valve Stem	RBTR10103	RBTR10103S
4	Felt for Top Valve Cap	RBTR10104	◀
5	Top Valve Cap	RBTR10105	RBTR10105S
6	Valve Spring	RBTR40206	◀
7	Valve Guide	RBTR10107	◀
8-1	1st Piston	RBCR202081	◀
8-2	2nd Piston	RBCR202082	◀
8-3	3rd Piston	RBCR202083	◀
9	Buttom Valve Cap	RBTR10109	RBTR10109S
10	1st Valve Slide ass'y	RBCR20210	RBCR20210S
10-1	Thumb Hook Saddle (Ns)	RBCR202101	◀
11	2nd Valve Slide ass'y	RBCR20211	RBCR20211S
12	Stop Screw 3rd Valve Slide	RBCR20212	RBCR20212S
13	3rd Valve Slide ass'y	RBCR20213	RBCR20213S
13-1	Finger Ring	RBCR202131	◀
13-2	Lyre Holder	RBTR10122	◀
13-3	Lyre Holder Screw	RBTR10120	RBTR10120S
14-1	Waterkey Screw	RBTR101181	RBTR101181S
14-2	Waterkey Spring	RBTR101182	◀
14-3	Waterkey 3rd Valve Slide	RBTR101253	RBTR101253S
14-4	Waterkey Cork	RBTR101184	◀
14-5	Waterkey hole	RBTR10117	◀
14-6	Waterkey saddle	RBTR10116	◀
15	Main Tuning Slide ass'y	RBCR20215	RBCR20215S
16-1	Waterkey Screw	RBTR101181	RBTR101181S
16-2	Waterkey Spring	RBTR101182	◀
16-3	Waterkey Leadpipe	RBTR101183	RBTR101183S
16-4	Waterkey Cork	RBTR101184	◀
17	Mouthpiece Receiver	RBCR20217	◀
18	Finger Hook	RBTR10127	◀
19	Leadpipe	RBCR20219	◀
20	Bell	RBCR20220	◀
21	Waterkey saddle	RBTR10116	◀
22	Waterkey hole	RBTR10117	◀

CR-302



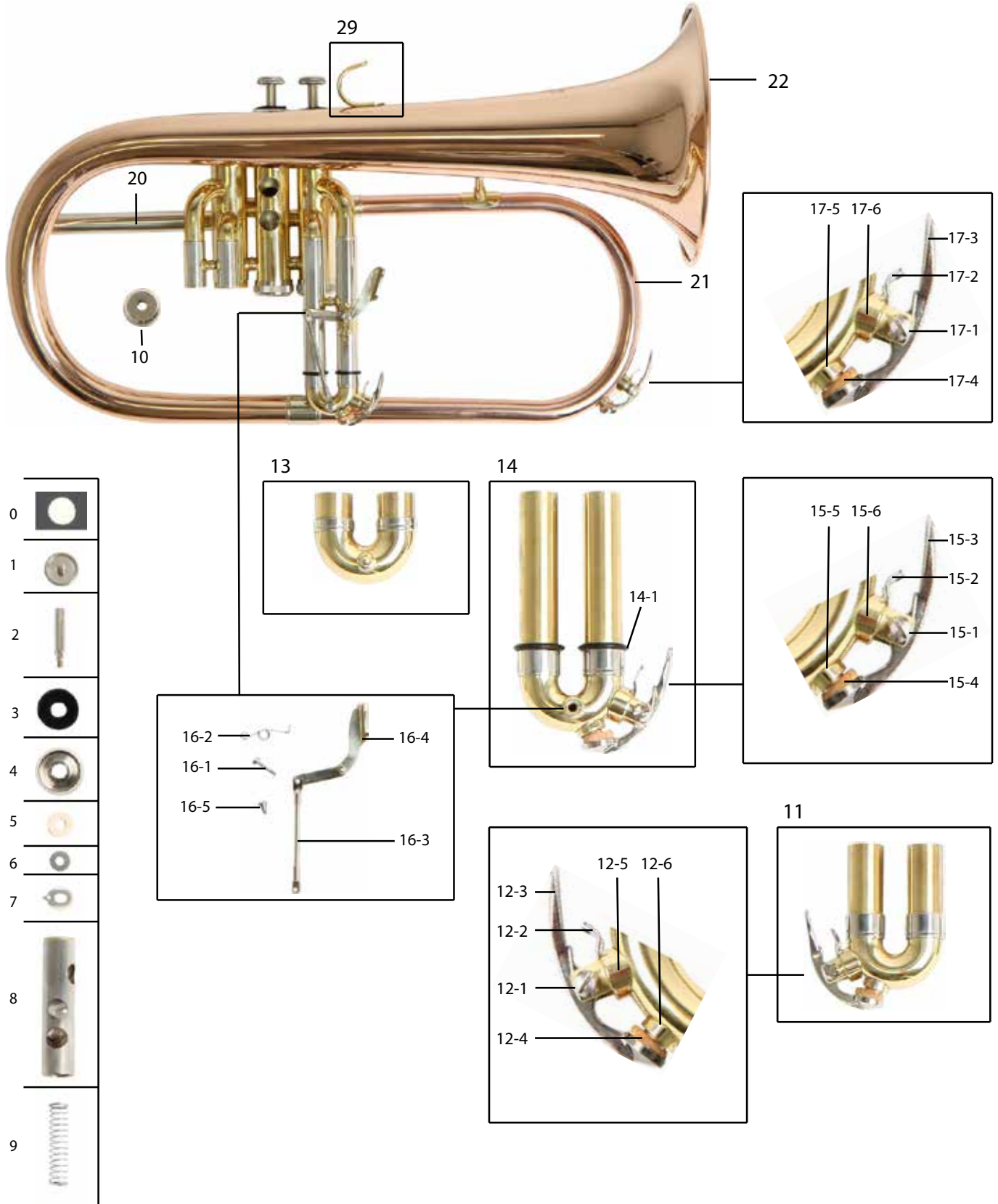


Kornett ♯ Cornet ♯ Cornet ♯ Cornetta



Scetch No.	Description	CR-302	CR-302S
0	Finger Button Pearl	RBTR10100	◀
1	Finger Button with Pearl	RBTR10101	RBTR10101S
2	Valve Stem Felt	RBTR10102	◀
3	Valve Stem	RBTR10103	RBTR10103S
4	Valve Cap Felt	RBTR10104	◀
5	Top Valve Cap	RBTR10105	RBTR10105S
6	Valve Spring	RBTR40206	◀
7	Valve Guide	RBTR10107	◀
8-1	1st Piston	RBCR202081	◀
8-2	2nd Piston	RBCR202082	◀
8-3	3rd Piston	RBCR202083	◀
9	Buttom Valve Cap	RBTR10109	RBTR10109S
10	1st Valve Slide ass'y	RBCR30210	RBCR30210S
10-1	RUBBER RING	RBFH30228	◀
11-1	Trigger Spring	RBFH302162	◀
11-2	Ball joint screw	RBCR302112	◀
11-3	Trigger Screw	RBCR302113	◀
11-4	Trigger Lever 1st slide	RBCR302114	RBCR302114S
11-5	Trigger push rod 1st trigger	RBCR302115	◀
11-6	Ball joint	RBCR302116	◀
12	Main Tuning Slide ass'y	RBCR30212	RBCR30212S
13	2nd Valve Slide ass'y	RBCR30213	RBCR30213S
14	3rd Valve Slide ass'y	RBCR30214	RBCR30214S
14-1	RUBBER RING	RBFH30228	◀
15-1	Trigger Spring	RBFH302162	◀
15-2	Ball joint screw	RBCR302112	◀
15-3	Trigger Screw	RBCR302113	◀
15-4	Trigger Lever 3rd slide	RBCR302154	RBCR302154S
15-5	Trigger push rod 3rd trigger	RBCR302155	◀
15-6	Ball joint	RBCR302116	◀
16-1	Waterkey Screw	RBTR101181	RBTR101181S
16-2	Waterkey Spring	RBTR101182	◀
16-3	Waterkey	RBTR101183	RBTR101183S
16-4	Waterkey Cork	RBTR101184	◀
16-5	Waterkey hole	RBTR10117	◀
16-6	Waterkey saddle	RBTR10116	◀
17-1	Waterkey Screw	RBTR101181	RBTR101181S
17-2	Waterkey Spring	RBTR101182	◀
17-3	Waterkey3rd Valve Slide	RBTR101253	RBTR101253S
17-4	Waterkey Cork	RBTR101184	◀
17-5	Waterkey hole	RBTR10117	◀
17-6	Waterkey saddle	RBTR10116	◀
18	Mothpiece Receiver	RBCR20217	◀
19	Finger Hook	RBTR10127	◀
20	Bell	RBCR30220	◀
21	Leadpipe	RBCR20219	◀





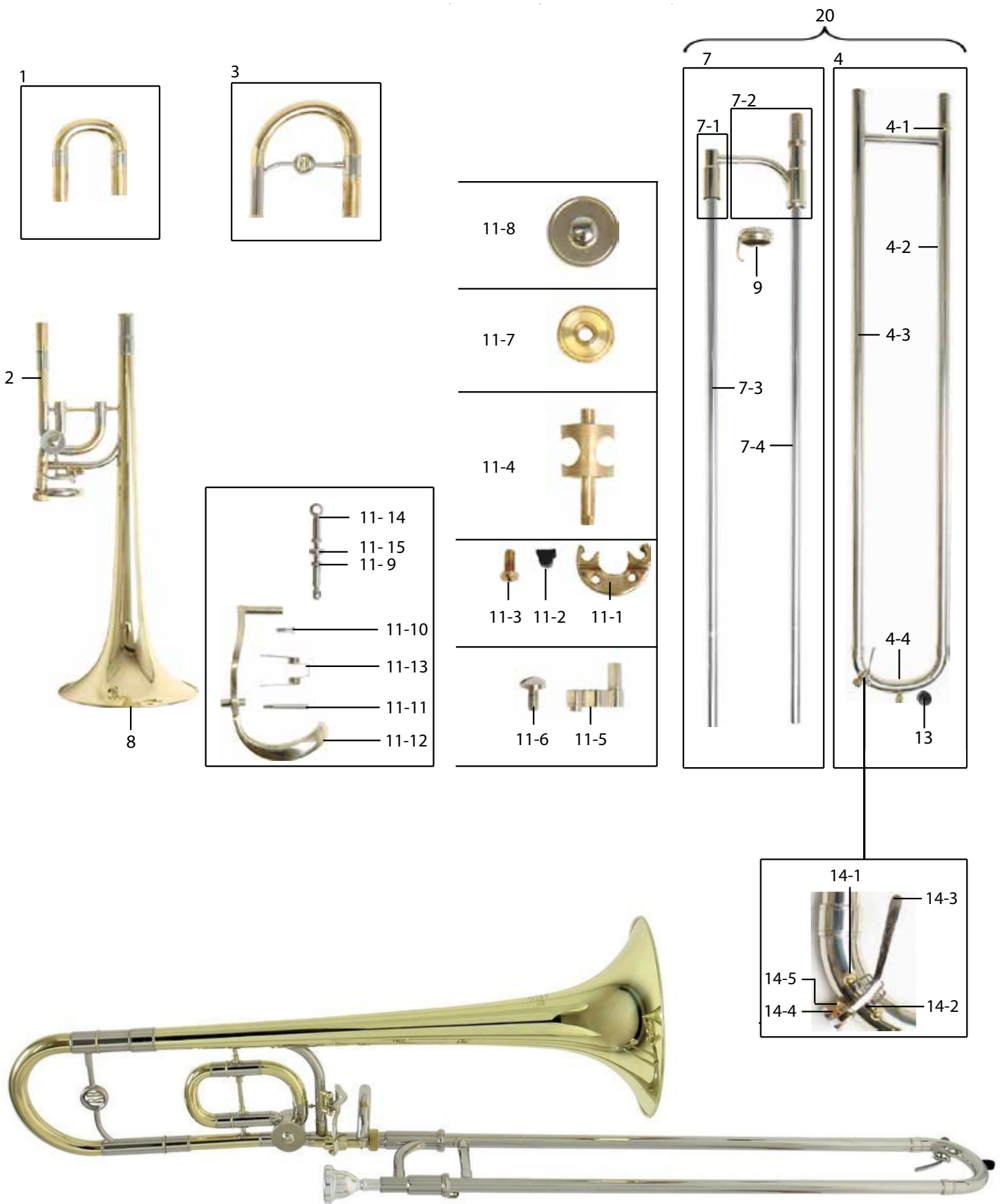


Flügelhorn ♪ Flugelhorn ♪ Bugle ♪ Flicorno



No.	Description	FH-302G	FH-302S
0	Finger Button Pearl	RBTR10100	◀
1	Finger Button with Pearl	RBTR10101	RBTR10101S
2	Valve Stem	RBFH30202	RBFH30202S
3	Valve Cap Felt	RBTR10104	◀
4	Top Valve Cap	RBFH30204	RBFH30204S
5	Valve Stem Felt	RBTR10102	◀
6	Metal Washer	RBFH30206	◀
7	Valve Guide	RBFH30207	◀
8-1	1st Piston	RBFH302081	◀
8-2	2nd Piston	RBFH302082	◀
8-3	3rd Piston	RBFH302083	◀
9	Valve Spring	RBFH30209	◀
10	Bottom Valve Cap	RBFH30210	RBFH30210S
11	1st Valve Slide ass'y, with waterkey	RBFH30211	RBFH30211S
12-1	Waterkey Screw	RBTR101181	RBTR101181S
12-2	Waterkey Spring	RBTR101182	◀
12-3	1st Slide Waterkey	RBTR101253	RBTR101253S
12-4	Waterkey Cork	RBTR101184	◀
13	2nd Valve Slide ass'y	RBFH30213	RBFH30213S
14	3rd Valve Slide ass'y with Waterkey	RBFH30214	RBFH30214S
14-1	Rubber ring	RBFH30228	◀
15-1	Waterkey Screw	RBTR101181	RBTR101181S
15-2	Waterkey Spring	RBTR101182	◀
15-3	3rd Slide Waterkey	RBTR101253	RBTR101253S
15-4	Waterkey Cork	RBTR101184	◀
15-5	Waterkey Hole	RBTR10117	◀
15-6	Waterkey Saddle	RBTR10116	◀
16-1	Trigger Screw	RBFH302161	RBFH302161S
16-2	Trigger Spring	RBFH302162	◀
16-3	Trigger push rod	RBFH302166	RBFH302166S
16-4	Trigger Lever	RBFH302164	RBFH302164S
16-5	Ball Joint Screw	RBFH302165	◀
17-1	Waterkey Screw	RBTR101181	◀
17-2	Waterkey Spring	RBTR101182	◀
17-3	Waterkey	RBTR101183	RBTR101183S
17-4	Waterkey Cork	RBTR101181	◀
17-5	Waterkey Hole	RBTR10117	◀
17-6	Waterkey Saddle	RBTR10116	◀
18	Tuning Bit	RBFH30218	RBFH30218S
19	Screw Tuning Bit	RBFH30219	RBFH30219S
20	outside slide tube tuning bit	RBFH30220	◀
21	Branch	RBFH30221	◀
22	Bell	RBFH30222	◀
29	Finger Hook	RBTR10127	◀

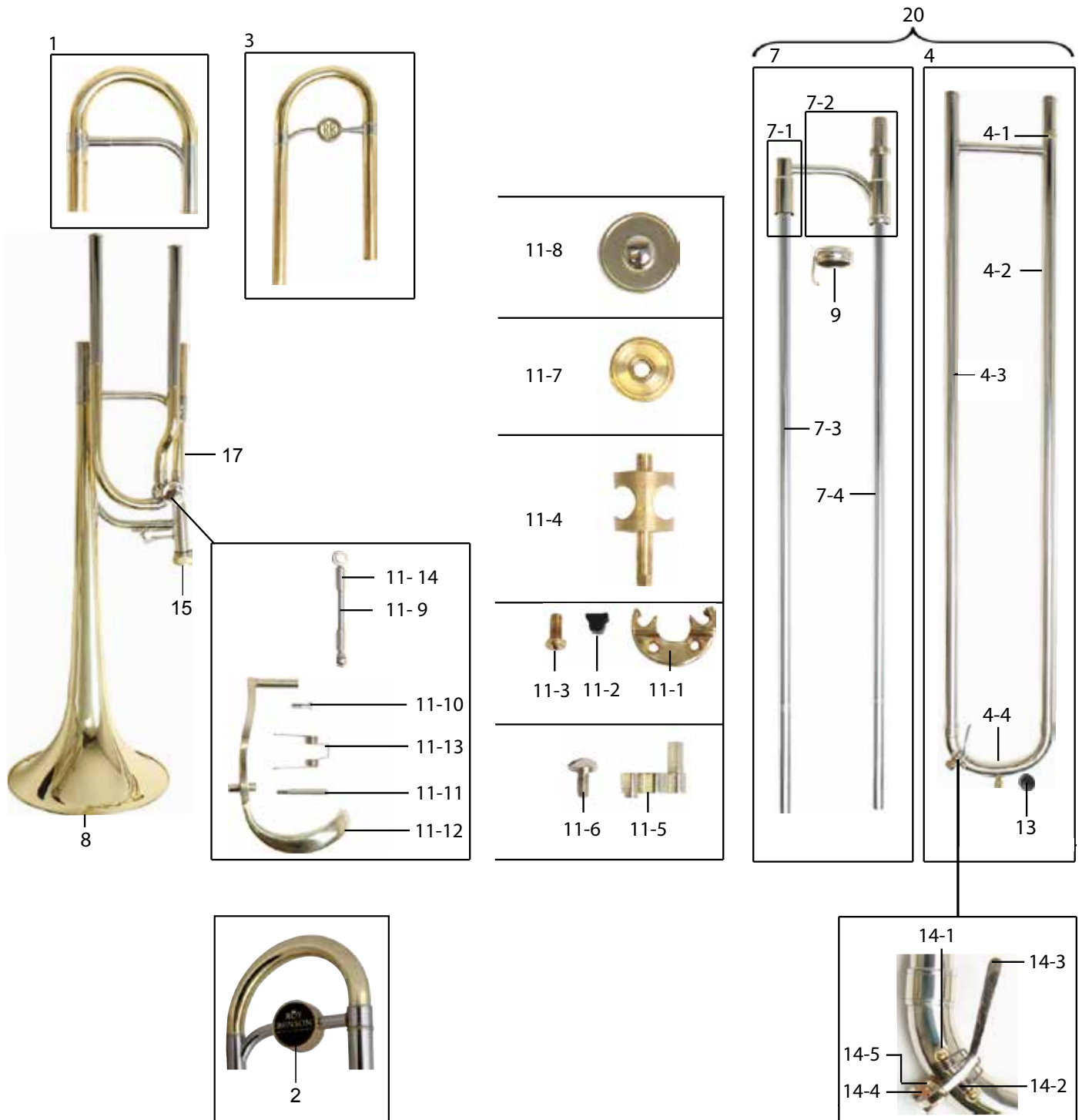
TT-220





Posaunen ♪ Trombones ♪ Trombones ♪ Trombones

No.	Description	TT-220
1	Bb-Tuning Slide ass'y	RBTT22001
2	Goose Neck	RBTT22002
3	Tuning Slide ass'y	RBTT22003
4-1	Lug Slide lock	RBTT220041
4-2	outside slide tube upper	RBTT220042
4-3	outside slide tube lower	RBTT220043
4-4	slide bow	RBTT220044
7-1	barrel mouthpiece receiver	RBTT220071
7-2	hand slide receiver	RBTT220072
7-3	inside slide tube upper	RBTT220073
7-4	inside slide tube lower	RBTT220074
8	Bell	RBTT22008
9	Lock Nut	RBTT22009
11-1	Bumper Plate	RBTT2361101
11-2	Rubber Bumper	RBTT2361102
11-3	Screw for Bumper Plate	RBTT2361103
11-4	Rotor	RBTT220114
11-5	Swivel	RBTT220115
11-6	Rotor screw	RBTT236116
11-7	Rotor End Cap	RBTT220117
11-8	Rotor Housing Cap	RBTT220118
11-9	push rod with metal ball sockets	RBTT220119
11-10	Screw Metal Ball Socket	RBTT2361110
11-11	Hinge Screw	RBTT2361111
11-12	Lever	RBTT2201112
11-13	Lever Spring	RBTT2361113
13	Slide Rubber Bumper Tip	RBTT22713
14-1	Waterkey Screw	RBTT227141
14-2	Waterkey spring	RBTT227142
14-3	Waterkey	RBTT227143
14-4	Waterkey cork	RBTT227144
14-5	Waterkey hole	RBTR10117
15	Bell lock nut and slide receiver	RBTT22015
20	Compl. Handslide ass'y	RBTTSL220



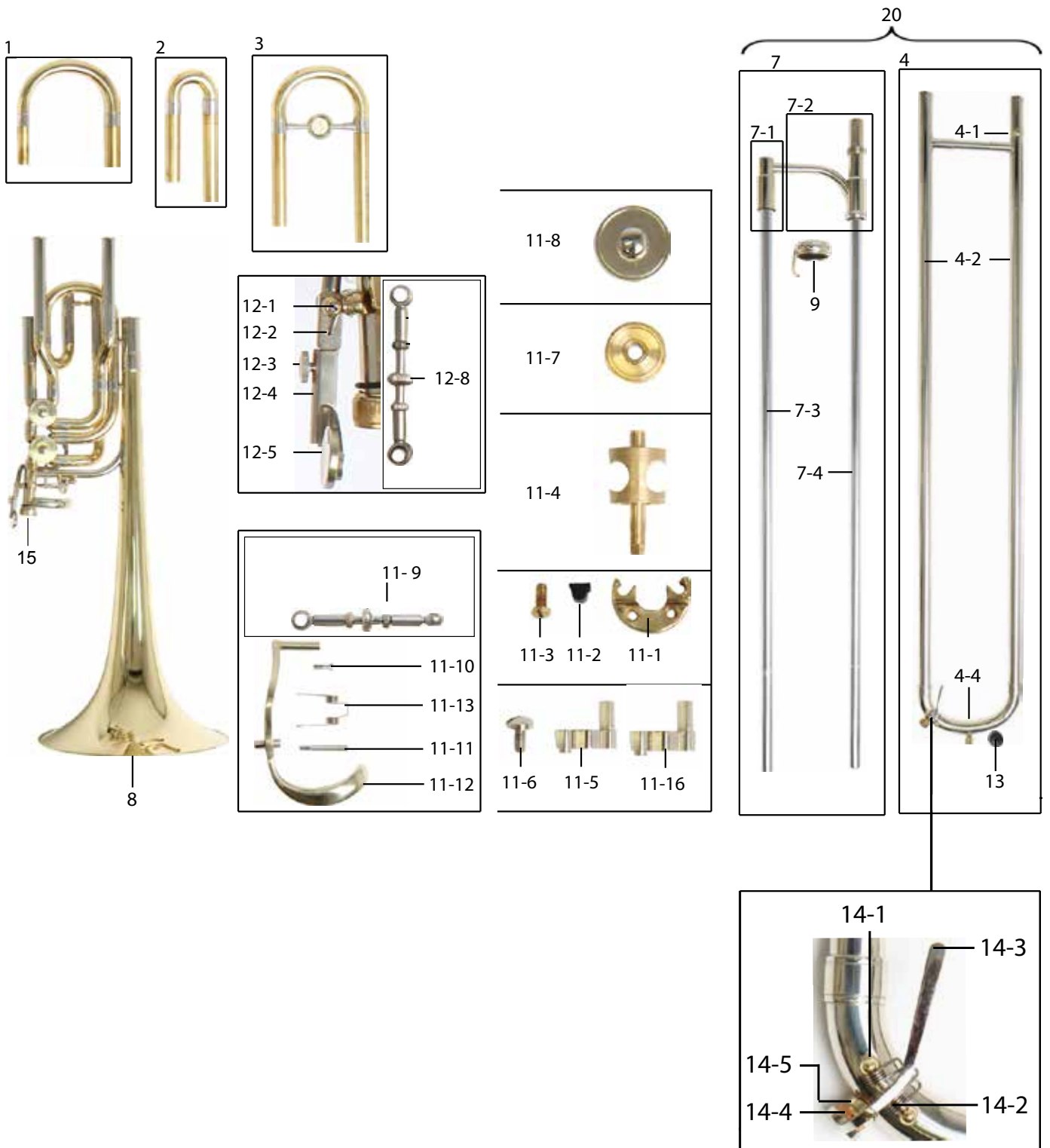


Posaunen ♪ Trombones ♪ Trombones ♪ Trombones



No.	Description	AT-201	TT-227	TT-227F	TT-236	TT-236F	TT-242	TT-242F
1	Tuning Slide ass'y	RBAT20101	RBTT22701	◀	RBTT23601	◀	◀	◀
2	Balancer Complete		RBTT22702		RBTT22702		RBTT22702	
3	F-Tuning Slide ass'y			RBTT227F03		RBTT23603		RBTT23603
3-1	Gb-Tuning Slide ass'y			RBTT227F031				
4-1	Lug Slide lock	RBAT201041	RBTT227041	◀	RBTT236041	◀	◀	◀
4-2	outside slide tube	RBAT201042	RBTT227042	◀	RBTT236042	◀	RBTT242042	◀
4-4	slide bow	RBAT201044	RBTT227044	◀	RBTT236044	◀	RBTT242044	◀
7-1	barrel mouthpiece receiver	RBAT20171	RBTT22771	◀	RBTT23671	◀	RBTT24271	◀
7-2	hand slide receiver	RBAT20172	RBTT22772	◀	RBTT23672	◀	RBTT24272	◀
7-3	inside slide tube upper	RBAT201073	RBTT227073	◀	RBTT236073	◀	RBTT242073	◀
7-4	inside slide tube lower	RBAT201074	RBTT227074	◀	RBTT236074	◀	RBTT242074	◀
8	Bell	RBAT20108	RBTT22708	◀	RBTT23608	◀	RBTT24208	◀
9	Lock Nut	RBAT20109	RBTT22709	◀	RBTT23609	◀	RBTT24209	◀
11-1	Bumper Plate			RBTT2361101		RBTT2361101		RBTT2361101
11-2	Rubber Bumper			RBTT2361102		RBTT2361102		RBTT2361102
11-3	Screw for Bumper Plate			RBTT2361103		RBTT2361103		RBTT2361103
11-4	Rotor			RBTT227F114		RBTT2361104		RBTT2361104
11-5	Swivel			RBTT227F115		RBTT2361105		RBTT2361105
11-6	Rotor screw			RBTT236116		RBTT236116		RBTT236116
11-7	Rotor End Cap			RBTT227F117		RBTT2361107		RBTT2361107
11-8	Rotor Housing Cap			RBTT227F118		RBTT2361108		RBTT2361108
11-9	push rod			RBTT227F119		RBTT2361109		RBTT2361109
11-10	Screw Metal Ball Socket			RBTT2361110		RBTT2361110		RBTT2361110
11-11	Hinge Screw			RBTT2361111		RBTT2361111		RBTT2361111
11-12	Lever			RBTT227F1112		RBTT2361112		RBTT2361112
11-13	F Lever Spring			RBTT2361113		RBTT2361113		RBTT2361113
11-14	metal ball joint			RBTT2361114		RBTT2361114		RBTT2361114
13	Slide Rubber Bumper Tip	RBTT22713	◀	◀	◀	◀	◀	◀
14-1	Waterkey Screw	RBTT227141	◀	◀	◀	◀	◀	◀
14-2	Waterkey spring	RBTT227142	◀	◀	◀	◀	◀	◀
14-3	Waterkey	RBTT227143	◀	◀	◀	◀	◀	◀
14-4	Waterkey cork	RBTT227144	◀	◀	◀	◀	◀	◀
14-5	Waterkey hole	RBTR10117	◀	◀	◀	◀	◀	◀
15	Bell lock nut and slide receiver	RBAT20115	RBTT22715	RBTT227F15	RBTT23615	RBTT236F15	RBTT24215	RBTT242F15
17	Goose Neck	RBAT20117	RBTT22717	RBTT227F17	RBTT23617	RBTT236F17	RBTT23617	RBTT242F17
20	Compl. Handslide ass'y	RBATSL201	RBTTSL227	◀	RBTTSL236	◀	RBTTSL242	◀

BT-260



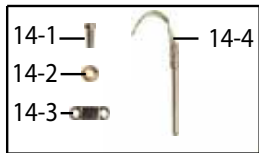


Bass-Posaunen ♫ Bass Trombones ♫ Trombones Basse ♫ Trombones basse



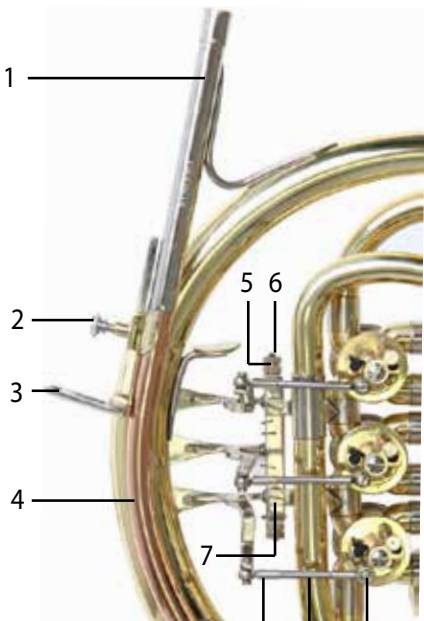
No.	Description	BT-260
1	Tuning Slide ass'y	RBBT26001
2	F-Tuning Slide ass'y	RBBT26002
3	Gb-Tuning Slide ass'y	RBBT26003
4-1	Lug Slide lock	RBBT26041
4-2	outside slide tube	RBBT26042
4-4	slide bow	RBBT26044
7-1	barrel mouthpiece receiver	RBBT26071
7-2	hand slide receiver	RBBT26072
7-3	inside slide tube upper	RBBT26073
7-4	inside slide tube lower	RBBT26074
8	Bell	RBBT2608
9	Lock Nut	RBBT2609
11-1	Bumper Plate	RBTT2361101
11-2	Rubber Bumper	RBTT2361102
11-3	Screw for Bumper Plate	RBTT2361103
11-4	Rotor	RBBT260114
11-5	Swivel F-rotor	RBBT260115
11-6	Rotor screw	RBTT236116
11-16	Swivel Gb-rotor	RBBT2601116
11-7	Rotor End Cap	RBBT260117

No.	Description	BT-260
11-8	Rotor Housing Cap	RBBT260118
11-9	F-rotor push rod with metal ball sockets	RBBT260119
11-10	Screw Metal Ball Socket	RBTT2361110
11-11	Hinge Screw F-lever	RBTT2361111
11-12	Lever	RBBT2601112
11-13	F Lever Spring	RBTT2361113
12-1	Hinge Screw Gb-lever	RBBT260121
12-2	Gb lever spring	RBBT260122
12-3	screw Gb lever	RBBT260123
12-4	spatula Gb-lever	RBBT260124
12-5	spatula button	RBBT260125
12-8	push rod with metal ball sockets Gb-lever	RBBT260128
13	Slide Rubber Bumper Tip	RBTT22713
14-1	Waterkey Screw	RBTT227141
14-2	Waterkey spring	RBTT227142
14-3	Waterkey	RBTT227143
14-4	Waterkey cork	RBTT227144
14-5	Waterkey hole	RBTR10117
15	Bell lock nut and slide receiver	RBBT26015
20	Compl. Handslide ass'y	RBTTSL260



15

16



22



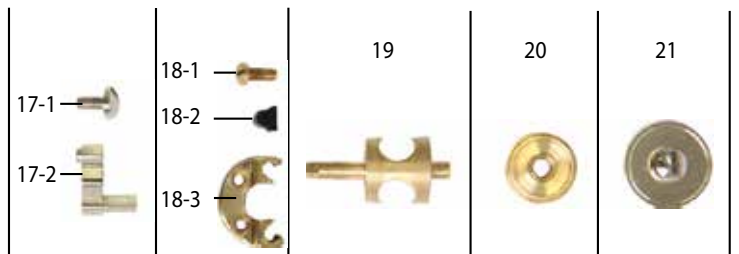
23



24



25

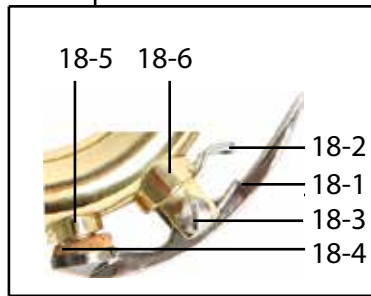




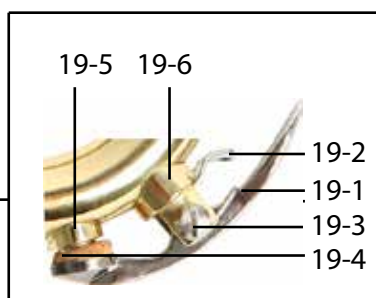
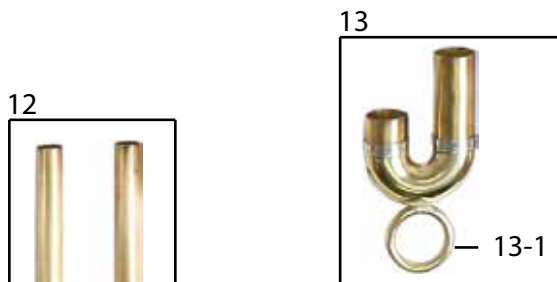
Horn ♪ French horn ♪ Cor ♪ Corno



Sketch No.	Description	HR-202	HR-203	HR-212B	HR-212F
1	Leadpipe over part	RBHR20201	RBHR20301	RBHR21201	◀
2	screw hand rest	RBHR20202	◀	RBHR21202	◀
3	hand rest	RB701.400.100	◀	RBHR21203	◀
4	leadpipe	RBHR20204	RBHR20304	RBHR21204	◀
5	Screw nut lever bracket	RBHR20205	◀	RBHR21205	◀
6	Hinge Screw	RBHR20206	◀	RBHR21206	◀
7	screw	RBHR20207	◀	RBHR21207	◀
8	metal ball joint	RBHR20208	◀	RBTT2361114	◀
9	push rod	RBHR20209	RBHR20309	RBHR21209	◀
10	Screw metal ball joint	RBHR20210	◀	RBTT2361110	◀
14-1	screw finger hook	RBHR202141	◀	RBHR212141	◀
14-2	O-ring finger hook	RBHR202142	◀	RBHR212142	◀
14-3	finger hook holder	RBHR202143	◀	RBHR212143	◀
14-4	finger hook	RB701.400.200	◀	RBHR212144	◀
15-1	1st lever	RBHR202151	RBHR203151	RBHR212151	◀
15-2	2nd lever	RBHR202152	RBHR203152	RBHR212152	◀
15-3	3rd lever	RBHR202153	RBHR203153	RBHR212153	◀
16	lever spring	RBHR20216	◀	RBHR21216	◀
17-1	rotor screw	RBHR202171	◀	RBHR212171	◀
17-2	swivel			RBHR212172	◀
17-2-1	swivel 1st rotor	RBHR2021721	RBHR2031721		
17-2-2	swivel 2st rotor	RBHR2021722	RBHR2031722		
17-2-3	swivel 3st rotor	RBHR2021723	RBHR2031723		
18-1	screw rotor stop	RBHR202181	RBHR203181	RBHR212181	◀
18-2	rubber bumper	RBHR202182	RBHR203182	RBHR212182	◀
18-3	bumper plate	RBHR202183	RBHR203183	RBHR212183	◀
19	rotor			RBHR21219	◀
19-1	1st rotor	RBHR202191	RBHR203191		
19-2	2nd rotor	RBHR202192	RBHR203192		
19-3	3rd rotor	RBHR202193	RBHR203193		
20	rotor end cap	RBHR20220	RBHR20320	RBHR21220	◀
21	rotor housing cap	RBHR20221	RBHR20321	RBHR21221	◀
22	main tuning slide	RBHR20222	RBHR20322	RBHR212B22	RBHR212F22
23	1st valve slide	RBHR20223	RBHR20323	RBHR212B23	RBHR212F23
24	2nd valve slide	RBHR20224	RBHR20324	RBHR212B24	RBHR212F24
25	3rd valve slide	RBHR20225	RBHR20325	RBHR212B25	RBHR212F25
26	waterkey		RBHR20326		RBHR212F26



0	
1	
2	
3	
4	
5	
6	
7	
9	
8	
10	

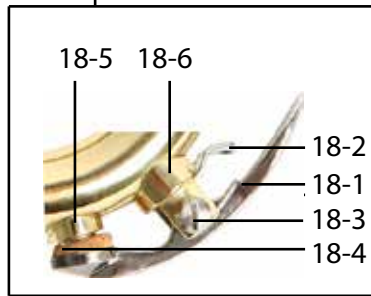




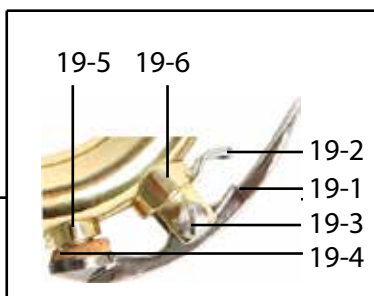
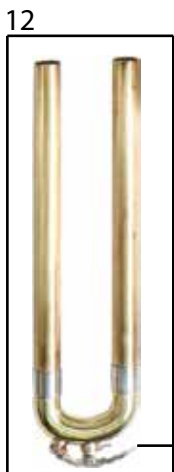
Alto horn ♯ Baritone



Scetch No.	Description	AH-301	BH-301	BH-302
0	Pearl, Fingerbutton	RBAH30100	RBBH30100	◀
1	Finger button with pearl	RBAH30101	RBBH30101	◀
2	Felt, Finger Button	RBAH30102	RBBH30102	◀
3	Valve Stem	RBAH30103	RBBH30103	◀
3	Valve Stem old (till production 03/2016)		RBBH30103OLD	◀
4	Top Valve Cap	RBAH30104	RBBH30104	◀
5	Felt, Valve Stem	RBAH30105	RBBH30105	◀
6	Metal Washer			
7	Valve Guide	RBAH30107	RBBH30107	◀
7	Valve Guide old (till production 03/2016)		RBBH30107OLD	◀
8	Valve Spring	RBAH30108	RBBH30108	◀
9-1	1. Piston	RBAH301091	RBBH301091	◀
9-2	2. Piston	RBAH301092	RBBH301092	◀
9-3	3. Piston	RBAH301093	RBBH301093	◀
9-4	4. Piston			RBBH302094
10	Bottom Valve Cap	RBAH30110	RBBH30110	◀
11	4th Valve Slide ass'y			RBBH30211
12	3rd Valve Slide ass'y	RBAH30112	RBBH30112	◀
13	2nd Valve Slide ass'y	RBAH30113	RBBH30113	◀
15	Screw, Lyre Holder	RBTR10120	◀	◀
16	Main Tuning Slide ass'y	RBAH30116	RBBH30116	◀
17	1st Valve Slide	RBAH30117	RBBH30117	◀
17-1	waterkey 1st valve slide	RBTR101253	◀	◀
18-1	Waterkey Main Tuning Slide	RBTR101183	◀	◀
18-2	Waterkey Spring	RBTR101182	◀	◀
18-3	Waterkey Screw	RBTR101181	◀	◀
18-4	Waterkey Pad	RBTR101184	◀	◀
18-5	Waterkey hole	RBTR10117	◀	◀
18-6	Waterkey saddle	RBTR10116	◀	◀
19-1	waterkey 3rd valve slide	RBTR101253	◀	◀
19-2	Waterkey Spring	RBTR101182	◀	◀
19-3	Waterkey Screw	RBTR101181	◀	◀
19-4	Waterkey Pad	RBTR101184	◀	◀
19-5	Waterkey hole	RBTR10117	◀	◀
19-6	Waterkey saddle	RBTR10116	◀	◀
20	Mouthpiece receiver	RBAH30120	RBBH30120	◀
21	Leadpipe	RBAH30121	RBBH30121	◀
22	Bell	RBAH30122	RBBH30122	◀
23	lower branch	RBAH30123	RBBH30123	◀
24	upper branch	RBAH30124	RBBH30124	◀



0	
1	
2	
3	
4	
5	
6	
7	
9	
8	
10	

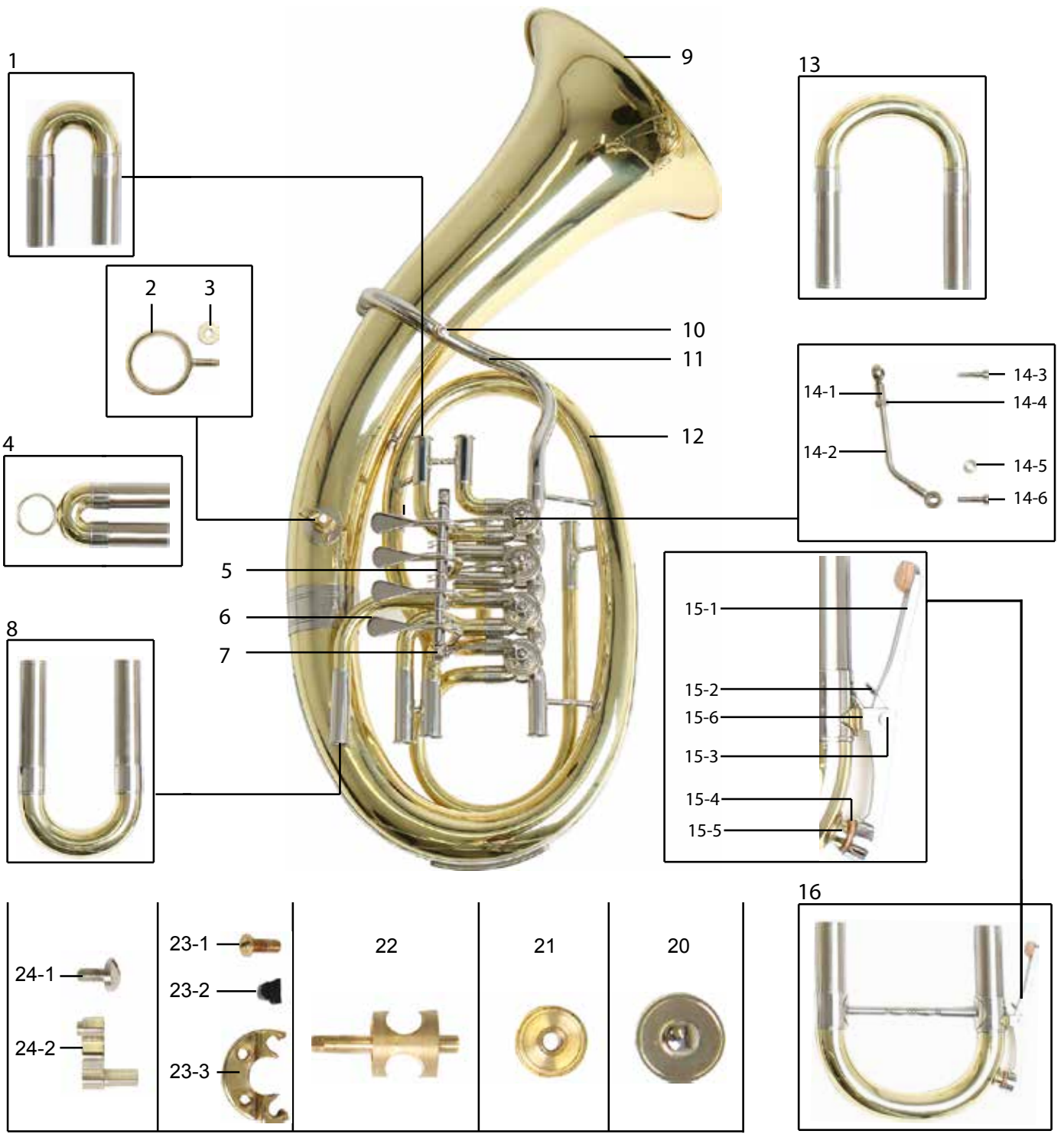




Euphonium



Scetch No.	Description	EP-301	EP-302	EP-303
0	Pearl, Fingerbutton	RBEP30100	◀	◀
1	Finger button with pearl	RBEP30101	◀	◀
2	Felt, Finger Button	RBEP30102	◀	◀
3	Valve Stem	RBEP30103	◀	◀
3	Valve Stem old (till production 03/2016)	RBEP30103OLD	◀	◀
4	Top Valve Cap	RBEP30104	◀	◀
5	Felt, Valve Stem	RBEP30105	◀	◀
6	Metal Washer	RBEP60106	◀	◀
7	Valve Guide	RBEP30107	◀	◀
7	Valve Guide old (till production 03/2016)	RBEP30107OLD	◀	◀
8	Valve Spring	RBEP30108	◀	◀
9-1	1. Piston	RBEP301091	◀	◀
9-2	2. Piston	RBEP301092	◀	◀
9-3	3. Piston	RBEP301093	◀	◀
9-4	4. Piston		RBEP302094	RBEP303094
10	Bottom Valve Cap	RBEP30110	◀	◀
11	4th Valve Slide ass'y		RBEP30211	RBEP30311
12	3rd Valve Slide ass'y	RBEP30112	◀	◀
13	2nd Valve Slide ass'y	RBEP30113	◀	◀
15	Screw, Lyre Holder	RBBH30116	◀	◀
16	Main Tuning Slide ass'y	RBEP30116	◀	RBEP30316
17	1st Valve Slide	RBEP30117	◀	◀
17-1	waterkey 1st valve slide	RBTR101253	◀	◀
18-1	Waterkey Main Tuning Slide	RBTR101183	◀	◀
18-2	Waterkey Spring	RBTR101182	◀	◀
18-3	Waterkey Screw	RBTR101181	◀	◀
18-4	Waterkey Pad	RBTR101184	◀	◀
18-5	Waterkey hole	RBTR10117	◀	◀
18-6	Waterkey saddle	RBTR10116	◀	◀
19-1	waterkey 3rd valve slide	RBTR101253	◀	◀
19-2	Waterkey Spring	RBTR101182	◀	◀
19-3	Waterkey Screw	RBTR101181	◀	◀
19-4	Waterkey Pad	RBTR101184	◀	◀
19-5	Waterkey hole	RBTR10117	◀	◀
19-6	Waterkey saddle	RBTR10116	◀	◀
20	Mouthpiece receiver	RBEP30120	◀	◀
21	Leadpipe	RBEP30121	◀	◀
22	Bell	RBEP30122	◀	◀
23	lower branch	RBEP30123	◀	◀
24	upper branch	RBEP30124	◀	◀



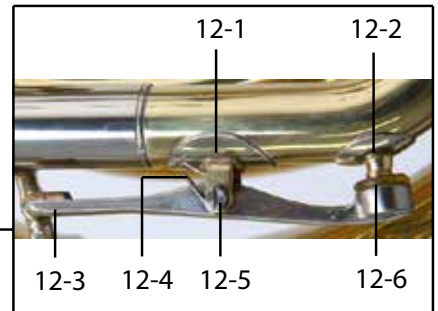
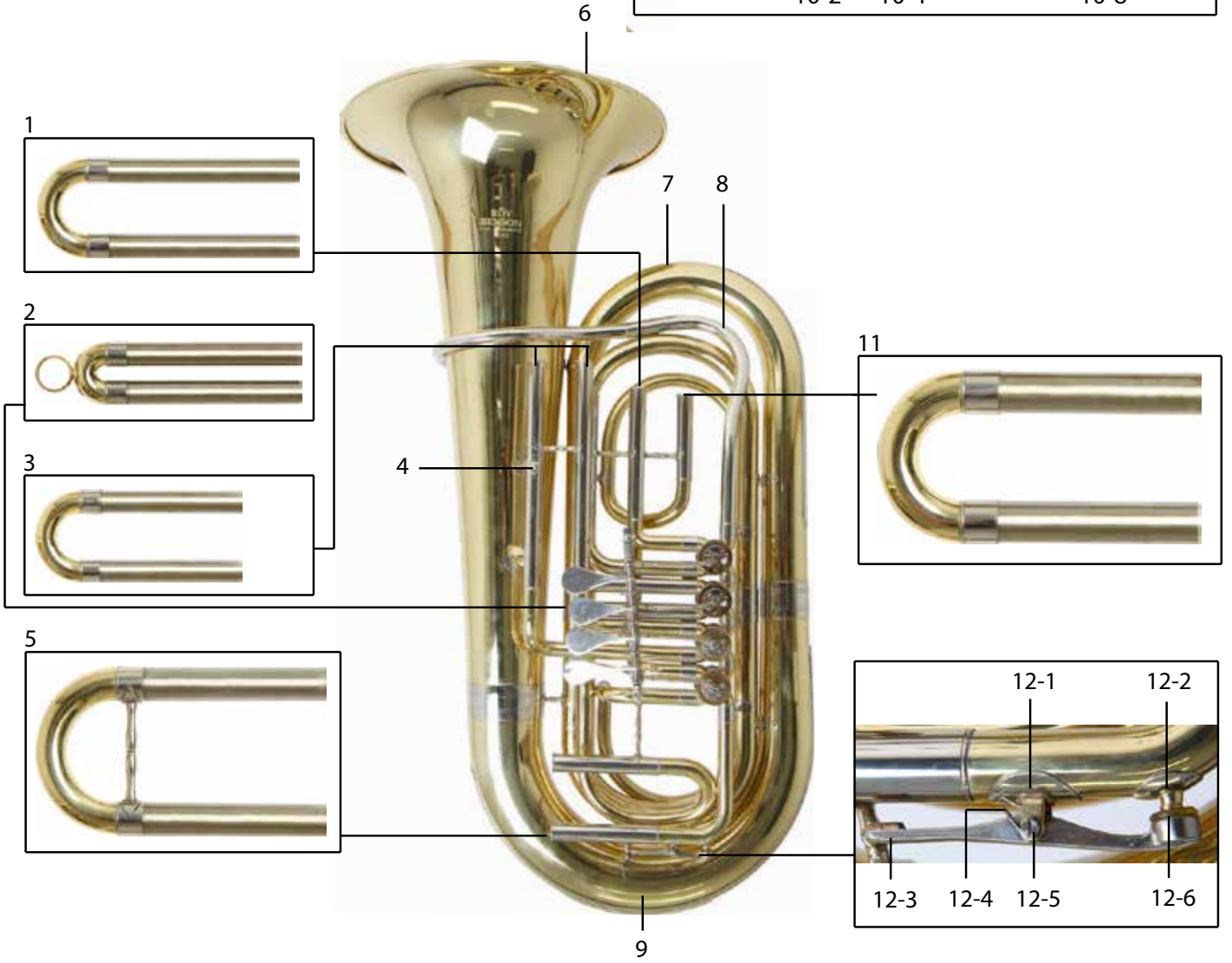
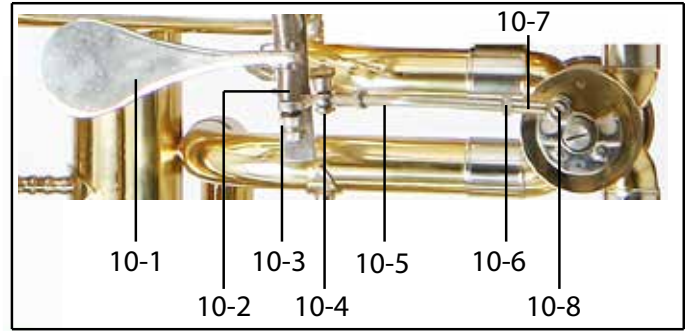


Tenorhorn ♯ Baritone



Scetch No.	Description	TH-202	BH-202
1	1st valve slide	RBTH20201	RBBH20201
2	Thumb ring	RBTH20202	◀
3	Nut for thumb ring	RBTH20203	◀
4	2nd valve slide	RBTH20204	RBBH20204
5	Lever spring	RBTH20205	◀
6-1	1st lever	RBTH2020601	RBBH2020601
6-2	2nd lever	RBTH2020602	RBBH2020602
6-3	3rd lever	RBTH2020603	RBBH2020603
6-4	4th lever		RBBH2020604
7	Screw nut lever bracket	RBTH20207	◀
8	3rd valve slide	RBTH20208	RBBH20208
9	Bell	RBTH20209	RBBH20209
10	Lyre screw	RBTH20210	◀
11	Leadpipe	RBTH20211	RBBH20211
12	Branch	RBTH20212	RBBH20212
13	4th slide		RBBH20213
14-1	Metal ball joint	RBTH2021401	◀
14-2	Push rod	RBTH2021402	◀
14-3	Screw metal ball joint, swivel side	RBTH2021403	◀
14-4	Nut metal ball joint	RBTH2021404	◀
14-5	Washer metal ball joint	RBTH2021405	◀
14-6	Screw metal ball joint, lever side	RBTH2021406	◀
15-1	Waterkey	RBTH2021501	◀
15-2	Waterkey Spring	RBTH2021502	◀
15-3	Waterkey Screw	RBTH2021503	◀
15-4	Waterkey Pad	RBTH2021504	◀
15-5	Waterkey hole	RBTH2021505	◀
15-6	Waterkey saddle	RBTH2021506	◀
16	Main tuning slide	RBTH20216	RBBH20216
20	Rotor housing cap	RBTH20220	◀
21	Rotor end cap	RBTH20221	RBBH20221
22-1	1st rotor	RBTH2022201	RBBH2022201
22-2	2nd rotor	RBTH2022202	RBBH2022202
22-3	3rd rotor	RBTH2022203	RBBH2022203
22-4	4th rotor		RBBH2022204
23-1	Screw stop plate	RBTH2022301	◀
23-2	Rubber bumper	RBTH2022302	◀
23-3	Stop plate	RBTH2022303	◀
24-1	Rotor screw	RBTH202241	◀
24-2-1	Swivel 1st rotor	RBTH20224201	RBBH20224201
24-2-2	Swivel 2st rotor	RBTH20224202	RBBH20224202
24-2-3	Swivel 3st rotor	RBTH20224203	RBBH20224203
24-2-4	Swivel 4th rotor		RBBH20224204

TB-202

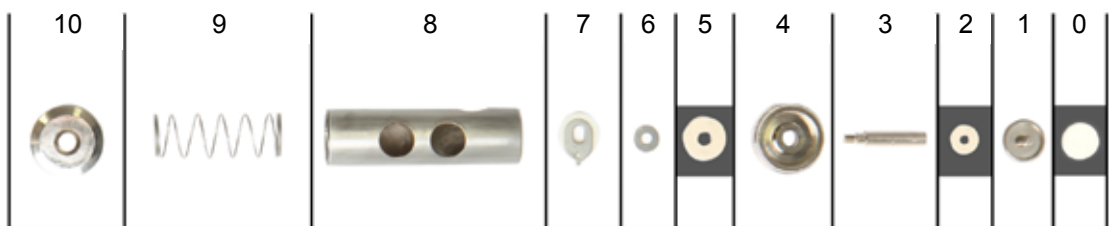
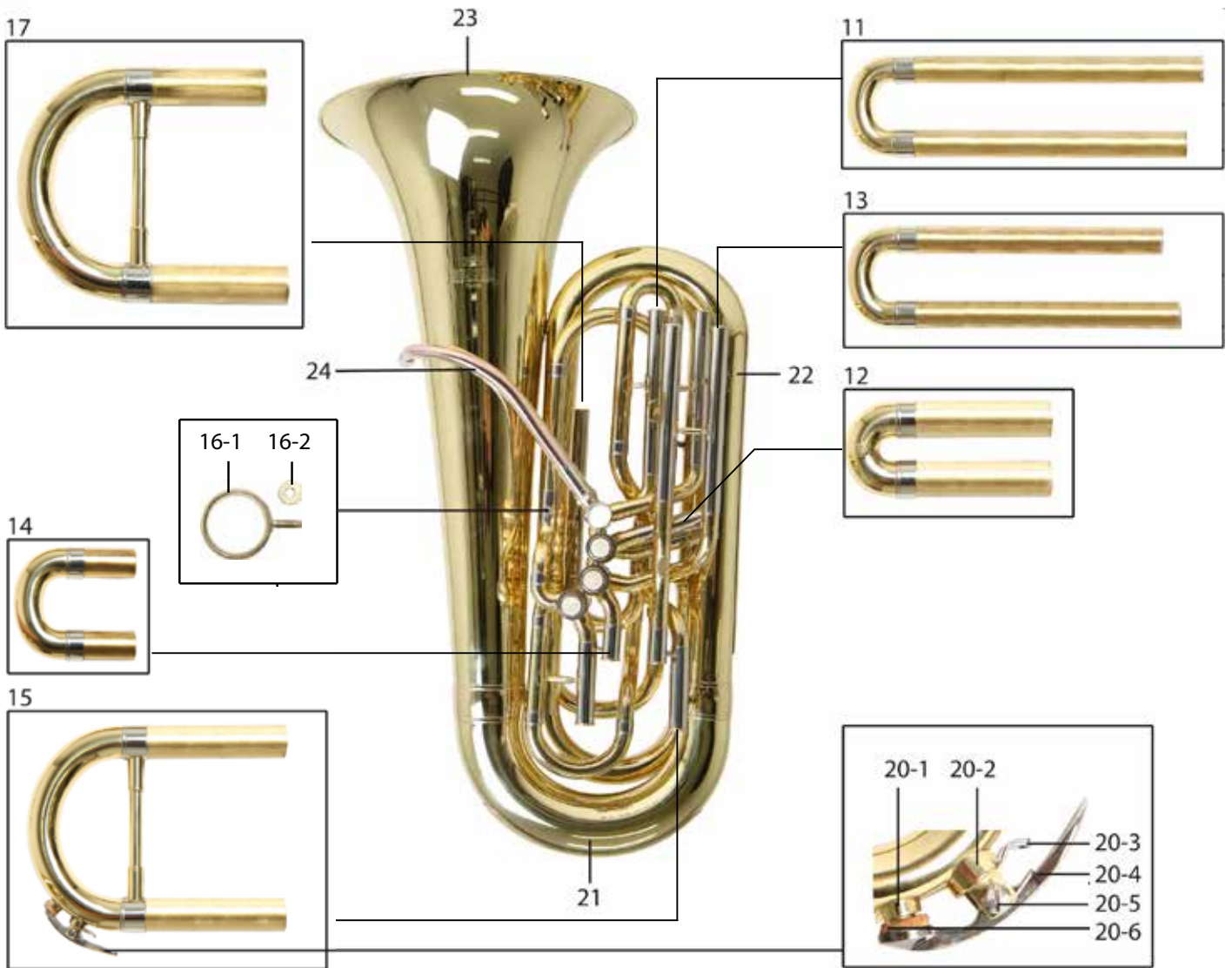




Tuba



Scetch No.	Description	TB-202
1	1st Valve Slide ass'y	RBTB20201
2	2nd Valve Slide ass'y	RBTB20202
3	3rd Valve Slide ass'y	RBTB20203
4	Screw Lyre Holder	RBTB20204
5	Main Tuning Slide ass'y	RBTB20205
6	Bell	RBTB20206
7	Upper Branch	RBTB20207
8	Leadpipe	RBTB20208
9	Lower Branch	RBTB20209
10-1-1	1st Lever	RBTB2021011
10-1-2	2nd Lever	RBTB2021012
10-1-3	3rd Lever	RBTB2021013
10-1-4	4th Lever	RBTB2021014
10-2	Lever Spring	RBTB202102
10-3	Screw Nut, lever bracket	RBTB202103
10-4	Screw Metal Ball, lever side	RBTB202104
10-5	Push Rod	RBTB202105
10-6	Nut, metal ball	RBTB202106
10-7	Metal Ball joint	RBTB202107
10-8	Screw Metal Ball, swivel side	RBTB202108
11	4th Valve Slide ass'y	RBTB20211
12-1	Waterkey Saddle	RBTB2021201
12-2	Waterkey Hole	RBTB2021202
12-3	Waterkey	RBTB2021203
12-4	Waterkey Spring	RBTB2021204
12-5	Waterkey Screw	RBTB2021205
12-6	Waterkey Pad	RBTB2021206
15	Rotor Housing Cap	RBTB20215
16	Rotor End Cap	RBTB20216
17-1	1st Rotor	RBTB2021701
17-2	2nd Rotor	RBTB2021702
17-3	3rd Rotor	RBTB2021703
17-4	4th Rotor	RBTB2021704
18-1	Screw, stop plate	RBTB2021801
18-2	Robber Bumper	RBTB2021802
18-3	Stop Plate	RBTB2021803
19-1	Rotor Screw	RBTB2021901
19-2-1	Swivel 1st rotor	RBTB2021921
19-2-2	Swivel 2nd rotor	RBTB2021922
19-2-3	Swivel 3rd rotor	RBTB2021923
19-2-4	Swivel 4th rotor	RBTB2021924

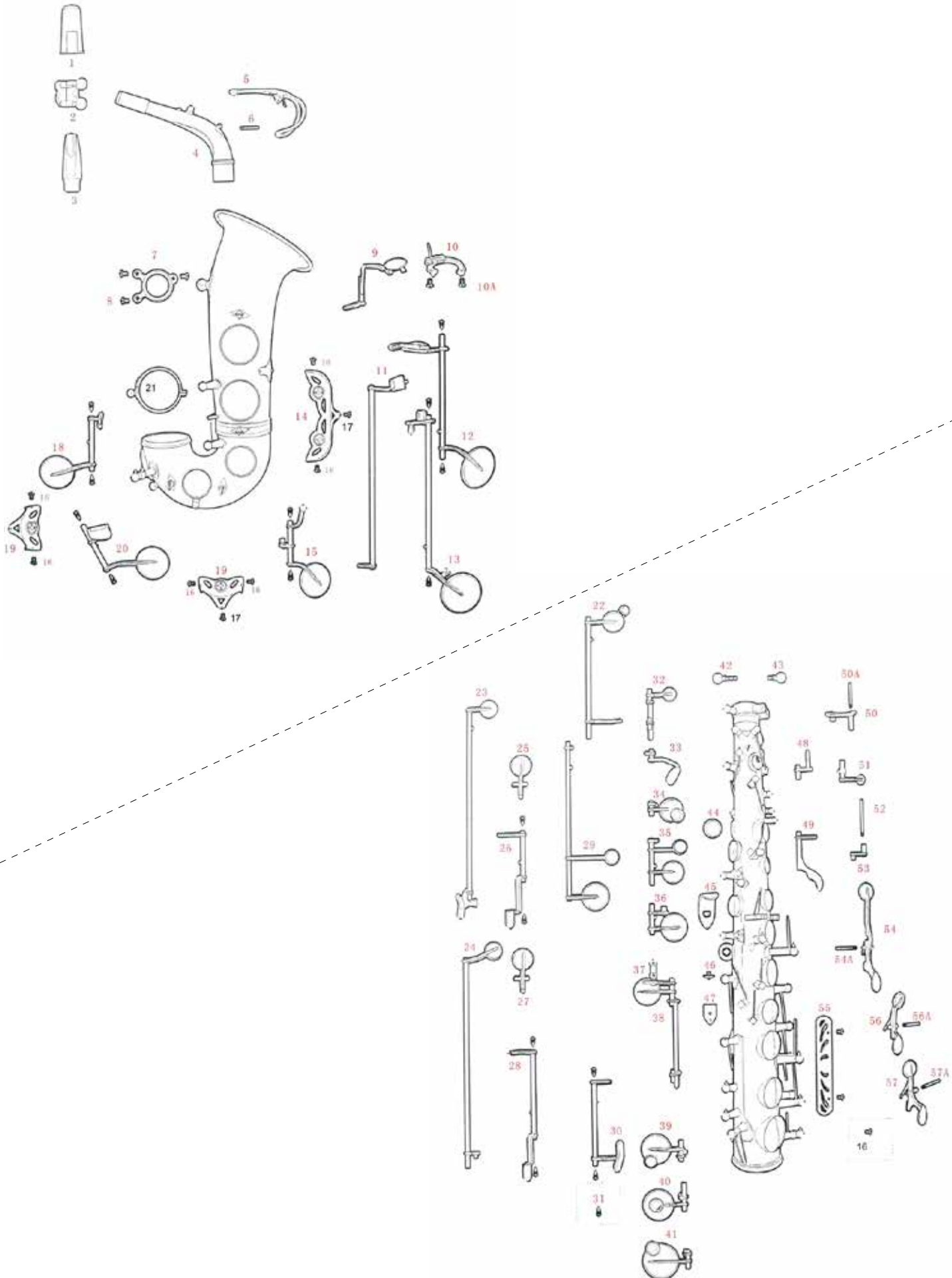




Tuba



Scetch No.	Description	TB-301	TB-312C	TB-312B
0	Pearl, Fingerbutton	RBTB30100	◀	◀
1	Finger button with pearl	RBTB30101	◀	◀
2	Felt, Finger Button	RBTB30102	◀	◀
3	Valve Stem	RBTB30103	◀	◀
3	Valve Stem old (till production 03/2016)	RBTB30303OLD	◀	◀
4	Top Valve Cap	RBTB30104	◀	◀
5	Felt, Valve Stem	RBTB30105	◀	◀
6	Metal Washer	RBTB30106	◀	◀
7	Valve Guide	RBTB30107	◀	◀
7	Valve Guide old (till production 03/2016)	RBTB30107OLD	◀	◀
8-1	1. Piston	RBTB301081	RBTB312081	◀
8-2	2. Piston	RBTB301082	RBTB312082	◀
8-3	3. Piston	RBTB301083	RBTB312083	◀
8-4	4. Piston		RBTB312084	◀
9	Valve Spring	RBTB30109	◀	◀
10	Bottom Valve Cap	RBTB30110	◀	◀
11	1st Valve Slide ass'y	RBTB30111	RBTB312C11	RBTB312B11
12	2nd Valve Slide ass'y	RBTB30112	RBTB312C12	RBTB312B12
13	3rd Long Valve Slide ass'y	RBTB30113	RBTB312C13	RBTB312B13
14	3rd Short Valve Slide ass'y		RBTB312C14	RBTB312B14
15	Main Tuning Slide ass'y	RBTB30115	RBTB312C15	RBTB312B15
16-1	Thumb Ring		RBTB312161	◀
16-2	Nut for Thumb Ring		RBTB312162	◀
17	4th Valve Slide		RBTB312C17	RBTB312B17
20-1	Waterkey hole	RBTR10117	◀	◀
20-2	Waterkey saddle	RBTR10116	◀	◀
20-3	Waterkey Spring	RBTR101182	◀	◀
20-4	Waterkey	RBTR101253	RBTR101183	◀
20-5	Waterkey Screw	RBTR101181	◀	◀
20-6	Waterkey Pad	RBTR101184	◀	◀
21	Lower Branch	RBTB30121	RBTB31221	◀
22	Upper Branch	RBTB30122	RBTB31222	◀
23	Bell	RBTB30123	RBTB31223	◀
24	Leadpipe	RBTB30124	RBTB31224	◀

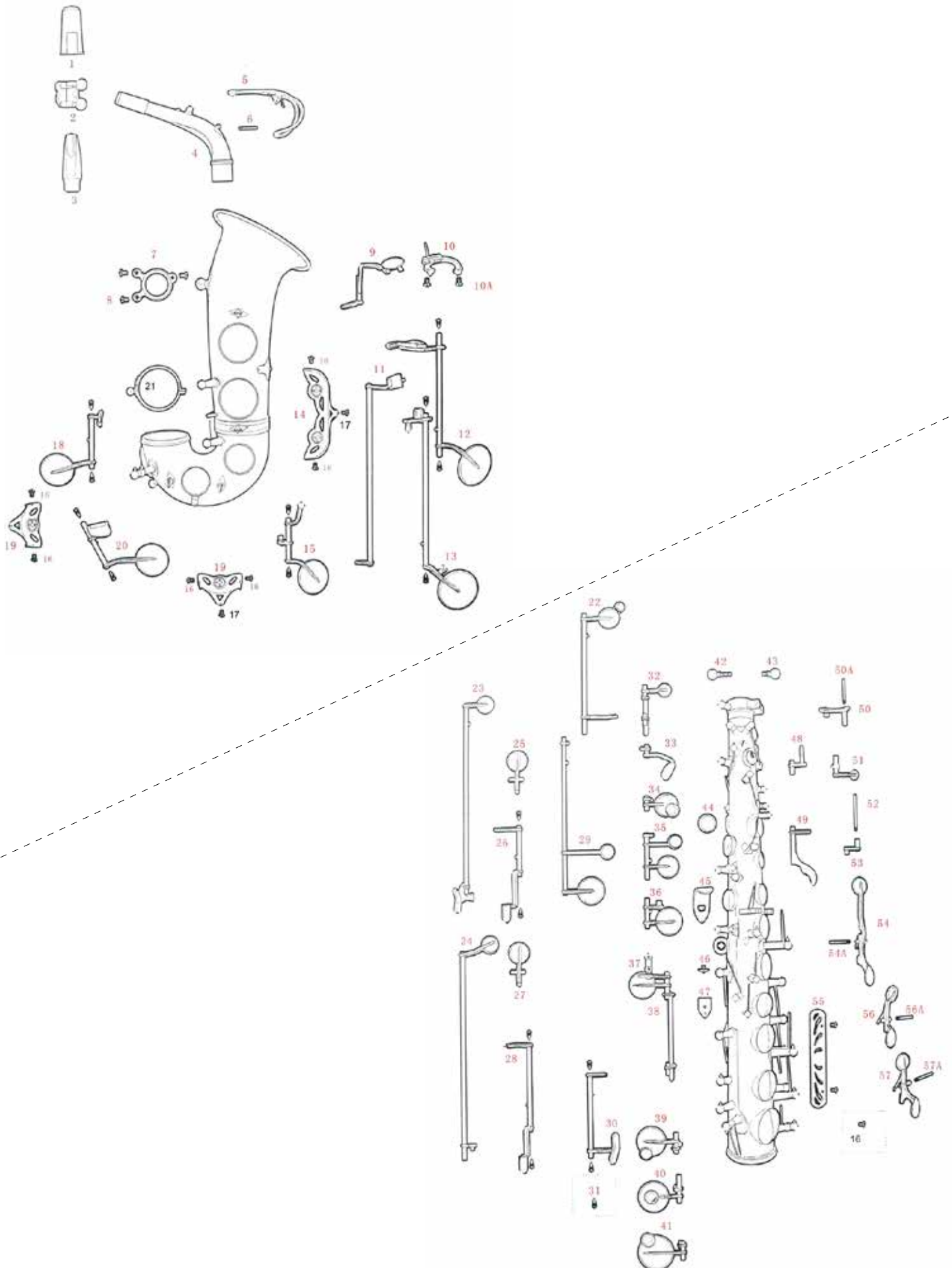




Alt-Saxophon ♫ Alto Saxophone



Scetch No.	Description	AS-202	AS-201 Children Sax	AS-302
0	Neck Plug / Herzschoener	RBAS20200	◀	◀
1	Mouthpiece cap	RBAS20201	◀	
2	Ligature	RBAS20202	◀	
3	Mouthpiece	RBAS20203	◀	
3	Mouthpiece Kit with Ligature & Cap			733.955
4	Neck ass'y with key	RBAS20204	RBAS20104	RBAS30204
4	Neck ass'y with key - Antique	RBAS20204A		
4	Neck ass'y with key - Goldbrass	RBAS20204G		
4	Neck ass'y with key Soprano Straight			
4	Neck ass'y with key Soprano Curved			
5	Octave Key	RBAS20205	RBAS20105	RBAS20205
6	Octave Key Screw	RBAS20206	◀	◀
8	Bell Brace Screw	RBAS20208	◀	◀
14	Key Guard B/Bb	RBAS20214	◀	◀
16	Key Guard Srew long	RBAS20216	◀	◀
17	Key Guard Srew short	RBAS20217	◀	◀
19	Key Guard C + Eb	RBAS20219	◀	◀
20	Black Roller (C/Eb-key)	RBAS20220	◀	◀
31	Pivot Screw	RBAS20231	◀	◀
37	F/G#-adjusting rod and screws	RBAS20237	◀	◀
42	Neck Screw & Lyre Screw	RBAS20242	◀	◀
44	Thumb Rest Button	RBAS20244	◀	RBAS30244
45	Thumb Hook Metal	RBAS20245	◀	RBAS30245
46	Thumb hook screw	RBAS20246	◀	◀
47	Thumb Hook Holder	RBAS20247	◀	◀
48	Octave Top Lever	RBAS20248	◀	◀
50	Octave Teeter	RBAS20250	◀	◀
51	Octave Cup	RBAS20251	◀	◀
53	Octave Spacer	RBAS20253	◀	◀
55	Side Key Guard	RBAS20255	◀	RBAS20255
54	High-F Palmkey	RBAS20254	RBAS20154	RBAS30254
56	High-Eb Palmkey	RBAS20256	RBAS20156	RBAS30256
57	High-D Palmkey	RBAS20257	RBAS20157	RBAS30257
60	Hinge Screw Set	RBAS20260	RBAS20160	RBAS20260
65	Set of Pearl Inlays	RBAS20265	◀	◀

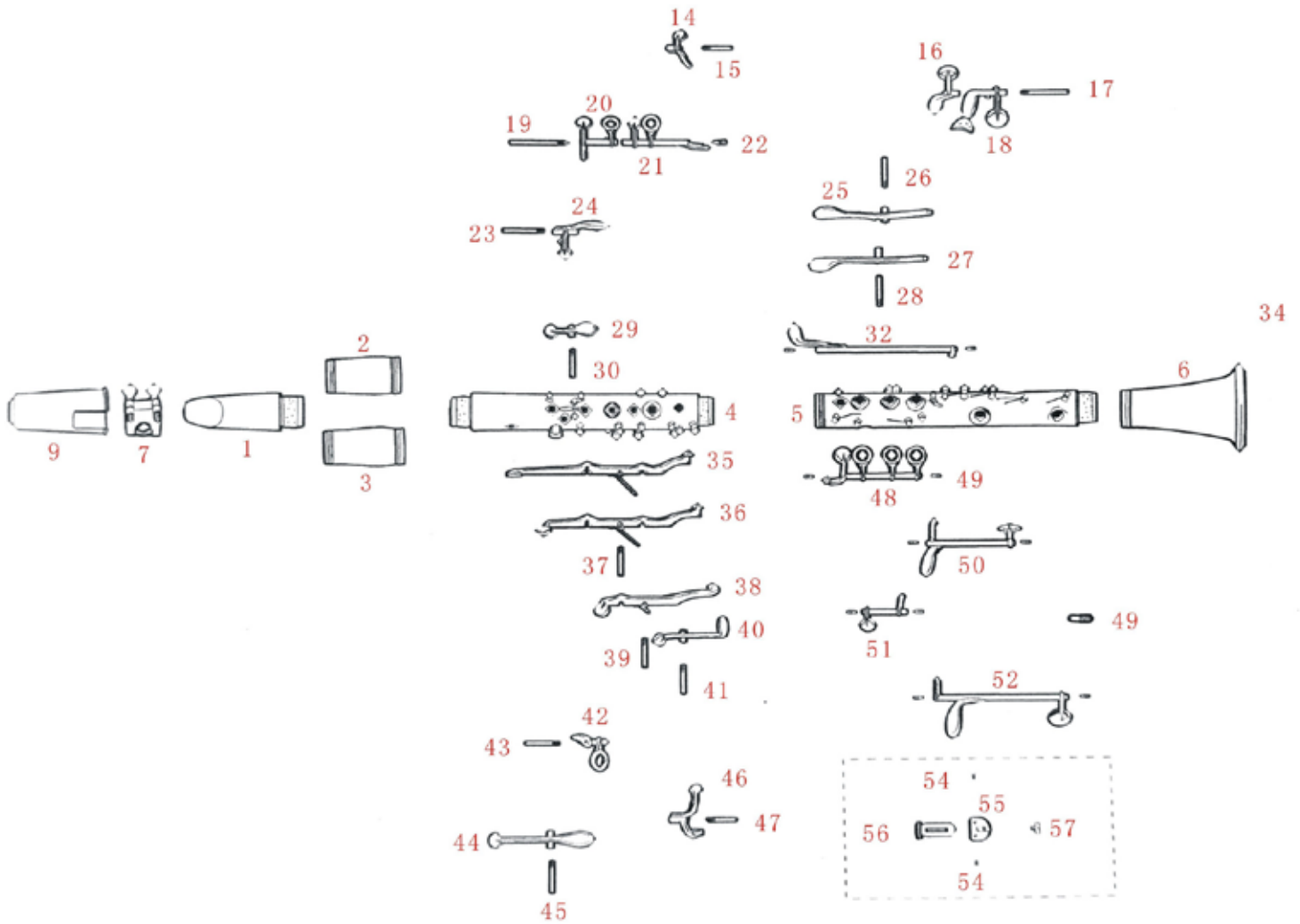




Sopran-Saxophon, Tenor-Saxophon ♪ Sopran-Saxophoen, Tenor Saxophone



Sketch No.	Description	TS-202	TS-302	SS-302	SG-302	SS-115
0	Neck Plug / Herzschoener	RBTS20200	◀	RBSS10100	◀	◀
1	Mouthpiece cap	RBTS20201		RBSS10101	◀	◀
2	Ligature	RBTS20202		RBSS10102	◀	◀
3	Mouthpiece	RBTS20203		RBSS10103	◀	◀
3	Mouthpiece Kit with Ligature & Cap		733.960			
4	Neck ass'y with key	RBTS20204	RBTS30204			
4	Neck ass'y with key - Antique					
4	Neck ass'y with key - Goldbrass					
4	Neck ass'y with key Soprano Straight			RBSS10104S		
4	Neck ass'y with key Soprano Curved			RBSS10104C	RBSG30204C	RBSS11504C
5	Octave Key	RBTS20205	◀	RBSS10105	RBSG30205	RBSS11505
6	Octave Key Screw	RBTS20206	◀	RBSS10106	◀	RBSS11506
8	Bell Brace Screw	RBAS20208	◀			RBSS11508
14	Key Guard B/Bb	RBTS20214	◀			RBSS11514
16	Key Guard Srew long	RBAS20216	◀			RBSS11516
17	Key Guard Srew short	RBAS20217	◀			RBSS11517
19	Key Guard C + Eb	RBTS20219	◀			RBSS11519
20	Black Roller (C/Eb-key)	RBAS20220	◀	◀	◀	
31	Pivot Screw	RBAS20231	◀	◀	◀	RBAS20231
37	F/G#-adjusting rod and screws	RBAS20237	◀	◀	◀	
42	Neck Screw & Lyre Screw	RBAS20240	◀	◀	◀	RBSS11542
44	Thumb Rest Button	RBAS20244	RBAS30244	◀	◀	RBSS11544
45	Thumb Hook Metal	RBAS20245	RBAS30245	◀	◀	RBAS30245
46	Thumb hook screw	RBAS20246	◀	◀	◀	RBSS11546
47	Thumb Hook Holder	RBAS20247	◀	◀	◀	RBSS11547
48	Octave Top Lever	RBTS20248	◀	RBSS30248	RBSG30248	
50	Octave Teeter	RBTS20250	◀	RBSS30250	RBSG30250	
51	Octave Cup	RBTS20251	◀	RBSS30251	RBSG30251	
53	Octave Spacer	RBTS20253	◀	RBSS30253	RBSG30253	
55	Side Key Guard	RBTS20255	RBTS20255			RBSS11555
54	High-F Palmkey	RBTS20254	RBTS30254	RBSS30254	RBSG30254	
56	High-Eb Palmkey	RBTS20256	RBTS30256	RBSS30256	RBSG30256	
57	High-D Palmkey	RBTS20257	RBTS30257	RBSS30257	RBSG30257	RBSS11557
60	Hinge Screw Set	RBTS20260	RBTS20260	RBSS10160	RBSG30260	RBSS11560
65	Set of Pearl Inlays	RBAS20265	◀	◀	◀	



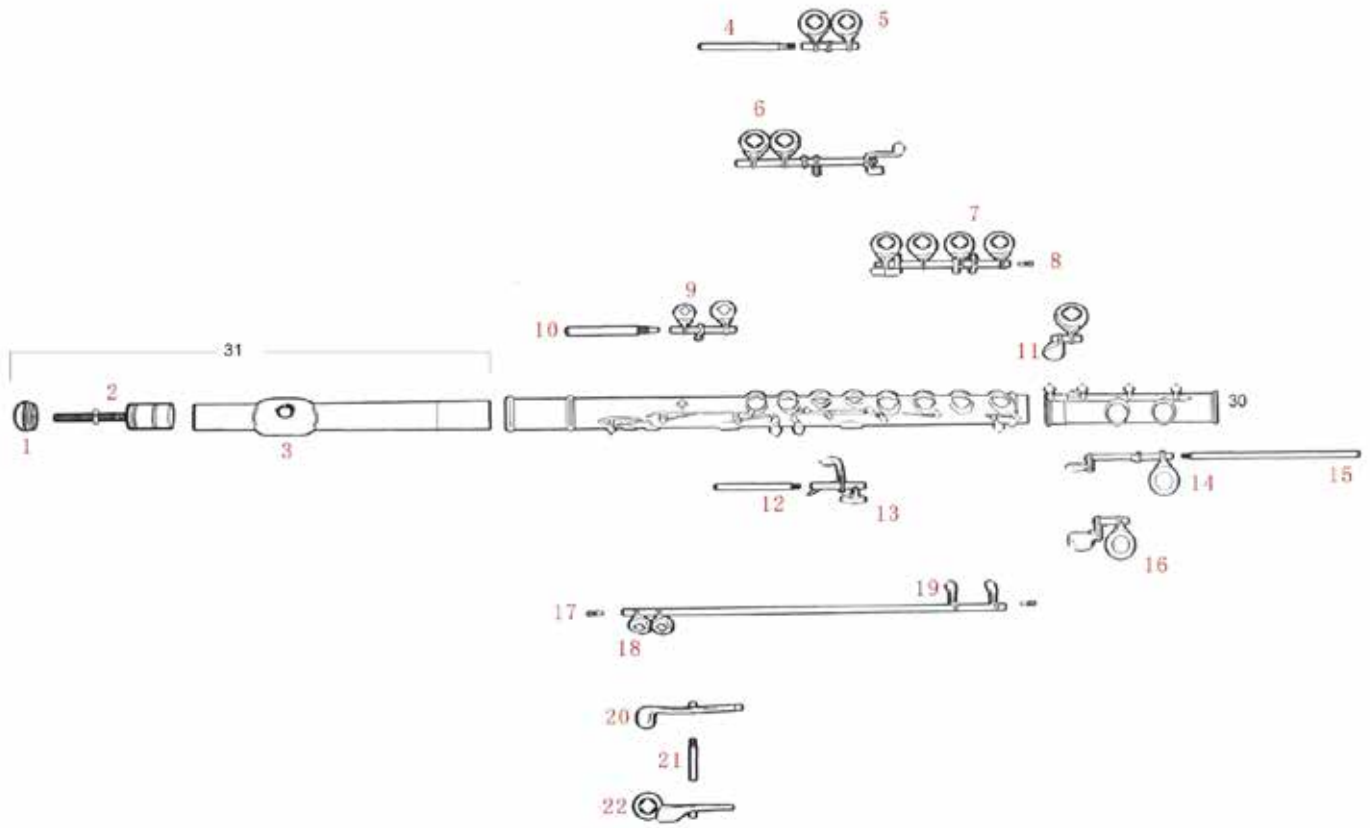
Scetch No.	Description	CB-217	CB-218	CB-317
1	Mouthpiece	RBCB21701	◀	733950
2	Barrel short	RBCB2170362	◀	RBCB3170264
3	Barrel long	RBCB2170364	◀	RBCB3170366
4	Upper Joint ass'y with keys	RBCB21704	◀	RBCB31704
5	Lower Joint ass'y with keys	RBCB21705	RBCB21805	RBCB31705
6	Bell ass'y	RBCB21706	◀	RBCB31706
7	Ligature w. screws	RBCB21707	◀	◀
9	Mouthpiece cap	RBCB21708	◀	◀
19	Hinge screw set	RBCB21719	RBCB21819	RBCB31719
22	Pivot screw	RBCB21722	◀	◀
54	Thumb hook holder screw	RBCB21754	◀	◀
55	Thumb hook holder	RBCB21755	◀	◀
56	Thumb hook	RBCB21756	◀	◀
57	Thumb hook screw	RBCB21757	◀	◀
60	Flatspring set	RBCB21760	◀	◀
61	Screw for flatspring	RBCB21761	◀	◀
62	Adjusting screw	RBCB21762	◀	◀
63	Black roller & screw			



Klarinette ♪ Clarinet ♪ Clarinette ♪ Clarinetto



Scetch No.	Description	CB-318	CG-220	CG-200B
1	Mouthpiece	RBCB21701	RB700460499	◀
2	Barrel short	RBCB2170362	RBCG2200253	RBCG20002
3	Barrel long	RBCB2170364		
4	Upper Joint ass'y with keys	RBCB21704	RBCG22004	RBCG20004
5	Lower Joint ass'y with keys	RBCB21705	RBCG22005	RBCG20005
6	Bell ass'y	RBCB21706	RBCG22006	RBCG20006
7	Ligature w. screws	RBCB21707	RBCG22007	RBCG20007
9	Mouthpiece cap	RBCB21708	RBCG22008	RBCG20008
19	Hinge screw set	RBCB31819	RBCG22019	RBCG20019
22	Pivot screw	RBCB21722	◀	RBCG20022
54	Thumb hook holder screw	RBCB21754	◀	RBCG20054
55	Thumb hook holder	RBCB21755	◀	RBCG20055
56	Thumb hook	RBCB21756	◀	RBCG20056
57	Thumb hook screw	RBCB21757	◀	RBCG20057
60	Flatspring set	RBCB21760	RBCG22060	RBCG20060
61	Screw for flatspring	RBCB21761	◀	RBCG20061
62	Adjusting screw	RBCB21762	◀	RBCG20062
63	Black roller & screw		RBCG22063	RBCG20063





Querflöte ♪ Flute ♪ Flûte traversière ♪ Flauto traverso



Scetch No.	Description	FL-102	FL-202 / FL-402	FL-602
1	Head Crown	RBFL20201	◀	RBFL60201
2	Head cork with screw	RBFL20202	◀	RBFL60202
8	Pivot Screw	RBFL20208	◀	RBFL60208
11	Cork D#-Key	RBFL20211	◀	RBFL60211
15	Hinge Screw Set	RBFL10215	RBFL20215	RBFL60215
19	Cork Trill-Key		RBFL20219	RBFL60219
30	Plastic inserts for ring keys (5 pc)		RBFL20230	◀
31	Straight Headjoint ass'y		RBFL20231S	RBFL60231S
31	Curved Headjoint ass'y	RBFL10231C	RBFL20231C	
32	Adjustment screw with nylon washer	RBFL20232	◀	RBFL60232



GEWA
winds